

# Dimplex



## 3 Step E

EN

NL


FR

DE

IT

NO

EN : This product is only suitable for well insulated rooms or occasional use. DE : Dieses Produkt ist nur für gut isolierte Bereiche oder gelegentliche Verwendung geeignet. FR : Ce produit convient uniquement à des endroits bien isolés ou pour un usage occasionnel. IT : Questo prodotto è adatto solo per spazi ben isolati o per uso occasionale. ES : Este producto sólo es adecuado para espacios bien aislados o un uso ocasional. NL : Dit product is uitsluitend geschikt voor goed geïsoleerde ruimten of voor sporadisch gebruik. PL : Produkt ten jest odpowiedni wyłącznie do dobrze odizolowanych miejsc lub do okazjonalnego użytku. NO : Dette produktet egner seg kun for godt isolerte rom eller sporadisk bruk. RO : Acest produs este adecvat exclusiv spațiilor bine ventilate sau utilizării ocazionale. CZ : Tento výrobek je vhodný pouze do dobře izolovaných prostor nebo k příležitostnému použití. DK : Dette produkt er kun egnet til velisolerede rum eller lejlighedsvis brug. PT : Este produto somente é adequado para espaços bem isolados ou uso ocasional. SE : Denna produkt är endast avsedd för välisolerade utrymnen eller tillfällig användning. FI : Tämä tuote soveltuu ainoastaan hyvin eristettyihin tiloihin tai satunnaiseen käyttöön. SK : Tento výrobok je vhodný len pre dobre izolované priestory alebo na občasné použitie. SI : Ta izdelek je primeren le za dobro izolirane prostore ali za občasno uporabo. HR : Ovaj proizvod je pogodan samo za dobro izolirane prostore ili povremenu upotrebu. HU : Ez a termék csak jól szigetelt terekhez vagy eseti használatra alkalmas.

 The product complies with the European Safety Standards EN60335-2-30 and the European Standard Electromagnetic Compatibility (EMC) EN55014, EN60555-2 and EN60555-3 These cover the essential requirements of EEC Directives 2014/35/EU and 2014/30/EU

EN .....	1
NL.....	11
FR.....	21
DE.....	31
IT.....	41
NO.....	51

**IMPORTANT: THESE INSTRUCTIONS SHOULD BE READ CAREFULLY AND RETAINED FOR FUTURE REFERENCE**

When using electrical appliances, basic precautions should always be followed to reduce the risk of fire, electrical shock and injury to persons, including the following:

If the appliance is damaged, check with the supplier before installation and operation.

Do not use outdoors.

Do not use in the immediate surroundings of a bath, shower or swimming pool.

Do not locate the appliance immediately below a fixed socket outlet or connection box.

This appliance can be used by children aged from 8 years and above and persons with reduced physical, sensory or mental capabilities or lack of experience and knowledge if they have been given supervision or instruction concerning use of the appliance in a safe way and understand the hazards involved. Children shall not play with the appliance. Cleaning and user maintenance shall not be made by Children without supervision.

Children of less than 3 years should be kept away unless continuously supervised. Children aged from 3 years and less than 8 years shall only switch on/off the appliance provided that it has been placed or installed in its intended normal operating position and they have been given supervision or instruction concerning use of the appliance in a safe way and understanding the hazards involved. Children aged from 3 years and less than 8 years shall not plug in, regulate and clean the appliance or perform user maintenance.

Do not use this appliance in series with a thermal control, a program controller, a timer or any other device that switches on the heat automatically, since a fire risk exists when the appliance is accidentally covered or displaced.

This appliance is not equipped with a device to control the room temperature. Do not use this appliance in small rooms when they are occupied by persons not capable of leaving the room on their own, unless constant supervision is provided.

Ensure that furniture, curtains or other combustible material are positioned no closer than 1 metre from the appliance.

In the event of a fault unplug the appliance.

Unplug the appliance when not required for long periods.

Although this appliance complies with safety standards, we do not recommend its use on deep pile carpets or on long hair type of rugs.

The appliance must be positioned so that the plug is accessible.

If the supply cord is damaged it must be replaced by the manufacturer or service agent or a similarly qualified person in order to avoid a hazard.

Keep the supply cord away from the front of the appliance.

Warning: In order to avoid overheating, do not cover the appliance. Do not place material or garments on the appliance, or obstruct the air circulation around the appliance, for instance by curtains or furniture, as this could cause overheating and a fire risk.

Warning: In order to avoid a hazard due to inadvertent resetting of the thermal cut-out, this appliance must not be supplied through an external switching device, such as a timer, or connected to a circuit that is regularly switched on and off by the utility.

**CAUTION** - Some parts of this product can become very hot and cause burns. Particular attention has to be given where children and vulnerable people are present.

## General Information

Unpack the heater carefully and retain the packaging for possible future use, in the event of moving or returning the fire to your supplier. The Remote Control, batteries and lamps are packed separately in the carton. The fire incorporates a flame effect, which can be used with or without heating, so that the comforting effect may be enjoyed at any time of the year. Using the flame effect on its own only requires little electricity.

Before connecting the heater check that the supply voltage is the same as that stated on the heater. Please note: Used in an environment where background noise is very low, it may be possible to hear a sound which is related to the operation of the flame effect. This is normal and should not be a cause for concern.

### Electrical connection.

#### **WARNING – THIS APPLIANCE MUST BE EARTHED.**

This heater must be used on an AC ~ supply only and the voltage marked on the heater must correspond to the supply voltage.

Before switching on, please read the safety warnings and operating instructions.

#### **PLEASE RETAIN THIS USER'S GUIDE FOR FUTURE REFERENCE**

**Do not put Opti-myst plastic components into a dishwasher.**

**Only slide out the drawer when the water tank needs to be filled or a lamp needs to be changed otherwise you will inadvertently alter the water level and the flame effect operation.**

**Only use tap water in this appliance with a maximum hardness of 10 dH.**

**Always ensure that the appliance is sitting on a level floor.**

**If you intend not using the appliance for longer than 2 weeks, drain the water from sump and water tank and dry the sump.**

**Once installed, never move this appliance or lay on its back, without draining the water from sump and water tank.**

**The water tank, sump, sump lid, tank cap and air filters must be cleaned once every two weeks, particularly in hard water areas.**

**The appliance should never be operated if the lamps are not working.**

**The lamps should be regularly inspected as described under 'Maintenance' and 'Changing Lamps'.**

### Technical Information

Model No: 3 Step E

Heat Output		230V	240V	
Nominal Heat Output	$P_{Nom}$	0.9	1.0	kW
Minimum Heat Output	$P_{min}$	0.9	1.0	kW
Maximum Continuous Heat Output	$P_{max}$	0.9	1.0	kW
Auxiliary Electricity Consumption				
In Standby Mode	$P_{Nom}$	0.87	0.93	W

electronic room temperature control plus week timer

## Installation Instructions

The 3-Step can be changed to suit 3 styles, the Tripple (3 side glass), the Duet (2side glass) and the Relax (front glass only). The product comes already comes as a Relax. To change between models fix the suction cups to the front glass and lift the glass upwards and then down and away from the product see fig 3a. Remove the rubber cord on the inside of the side glass at the bottom and top. Slide the side metal plate and side glass out together see fig 3b. Separate the side glass and slide it back into place. Use the larger rubber cord to fix the side glass in place found in the instruction pack. Replace the front glass by repeating the steps above in reverse. Use the suction cups to adjust the side glass so that you have a both the front and side glass fitting correctly. Ensure that there is a gap of 300mm between the top of the fire and the underside of any shelf. **Wall Mounting:** Build a platform for the unit to stand on. Using the dimensions in Fig1 mount the wall brace supplier level and in a desired position on to the wall by using 4 appropriate fixings for your wall. With two persons hold the fire by the sides and gently manoeuvre into position and suspend the fire from the wall brace. Under the appliance there are four adjustable supports provided for levelling, where the base of the fireplace opening is raised above the level of the platform. When building a front fascia ensure that there is an opening at the front for air to get into the product, see Fig21. This is essential for the flame effect. Also ensure that there is venting at the top of the product, this is essential for the heater to function correctly, see Fig20.

### **Before installing this appliance, we recommend that;**

1. Choose which style of 3-step you require and make the required adjustment to the appliance
2. You have your chimney cleaned by a competent chimney sweep.
3. You block off the chimney flue.

This procedure is important for the efficient operation of the heating unit and will also reduce heat loss up the chimney.

## Installation.

Ensure that all packing items are removed (read any warning labels carefully).

Retain all packing for possible future use, in the event of moving or returning the appliance to your supplier.

You are now ready to install the electric fire. Make sure the unit is switched **OFF**.

Using the correct fixings for your wall fix the wall bracket to the wall. Plug the fire into a 13amp/240 volt outlet. Ensure that the supply cable exits at the front of the fire, at the right or left hand corner to suit your supply socket location and is not trapped under the fire such that it might cause it to be damaged.

**Before using the manual controls firstly fill the water tank (See 'Maintenance', 'Filling the water tank').**

## Operating the Fire

WARNING: FAILURE TO FOLLOW THESE OPERATING INSTRUCTIONS MAY RESULT IN INJURY AND/OR DAMAGE.


### Manual Controls


The Opti-myst Manual controls are located on the base of the appliance.

(See Fig.2 for Manual Control layout)

Switch 'A':- Controls the electricity supply to the Fire.

Note: This switch must be in the 'ON' ( I ) position for the Fire to operate with or without heat when activated.


Switch 'B':- Press  once to turn on the flame effect. This will be indicated by an audible "beep". Although the main lights operate immediately it will take a further 45 seconds before the flame effect starts.

Press  to put fire into standby mode. This will be indicated by one "beep".

### Remote Control

The remote control is packed with 2 AA batteries in a bag. Lift off the battery cover on the back of the remote control and insert the batteries taking note of the polarity.

The remote control has already been paired to your product during factory assembly. In the unlikely event that the remote control disconnects from the product, or you obtain a spare remote control, you will need to complete the pairing process:

1. With the product plugged in press switch A to the ON (I) position. You should hear an audible beep
2. Press and hold 'Button 6' until PAIR appears on the display
3. Bring the remote control close to the product where the receiver is . See Fig 3C
4. The product will start to beep and blink
5. Press 'Button 6' to complete the pairing process. The product will go into standby mode.

### Switching on the appliance

Press and hold the ENTER button for 3 seconds to activate the remote control. FIRE will be displayed and ON will be blinking. Press ENTER to switch on the appliance. To turn off the appliance press MENU so that FIRE is blinking, press ENTER twice.

### Adjust the Flame Setting

With the remote control activated press once. FIRE will be blinking on the display. Press ENTER. The current flame setting will be displayed F1-F6. Press the UP and DOWN buttons to adjust the setting. After you have selected your flame setting press BACK twice to exit the menu and return to the home screen.

### Switching on the Heat

With the remote control activated press MENU once. FIRE will be blinking on the display. Press ADV once, HEAT will be blinking. Press ENTER. The current heat setting will be displayed OFF LO HI. Press the UP and DOWN buttons to adjust the setting. After you have selected your flame setting press ENTER

### Setting the Thermostat

The temperature shown on the display is the room temperature set point. This is the temperature that the heater will maintain during the heating periods. If the room temperature is above this temperature then the heater will not operate. The heater leaves the factory with this temperature set at 15°C which represents a typical comfortable room temperature. If you require a different room temperature then press either up or down on the home screen until the display shows the temperature you require.

### Thermal Safety Cut-out

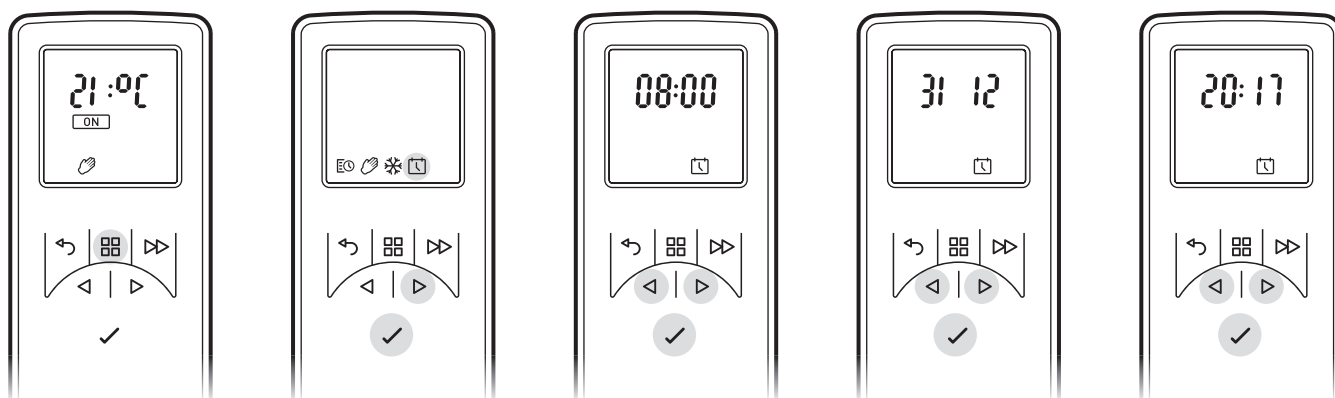
A thermal safety cut-out is incorporated in the fan heater to prevent damage due to overheating. This can happen if the heat outlet was restricted in any way. If the cut-out operates, unplug the heater from the socket outlet and allow approximately 10 minutes before reconnecting. Before switching the heater back on remove any obstruction that may be restricting the heat outlet, then continue normal operation.

**CAUTION:** In order to avoid a hazard due to inadvertent resetting of the thermal cutout, this appliance must not be supplied through an external switching device, such as a timer, or connected to a switch that is regularly switched on and off by the utility.

### Setting the Date and Time

To set the date and time on the heater;

1. Press the Menu button
2. Press ^ button 4 times
3. Press Enter when the Date & Time icon is blinking
4. Press Enter to set Time
5. Press v and ^ to set the Hour, press Enter
6. Press v and ^ to set the Minutes, press Enter to confirm the time
7. Press v and ^ to set the Day, press Enter
8. Press v and ^ to set the Month, press Enter
9. Press v and ^ to set the Year, press Enter to confirm the date



### Modes of Remote Operation

**User Timer:** Provides greatest flexibility to the user. Four times slots are available throughout the day and these can be customised for each day of the week. See “How to adjust the timer modes” for instructions on adjusting these from the factory default time periods & temperatures.

**Manual Mode:** This mode heats the room to the temperature you have set the remote control to.

**Frost Protection:** This mode will maintain a room temperature to 7°C. This mode should be used to provide protection against frost as indicated by the frost icon.

### Choosing and Setting a Mode

**User Timer -** To re-programme the factory default Timer Modes:

1. Press Menu Button
  2. Press ^ once to the schedule Icon is blinking. Press Enter
  3. Press ^ Twice then press Enter
- \*Days of the weeks are now displayed at the top of the screen\*
- Day 1 = Monday
  - Day 2 = Tuesday
  - Day 3 = Wednesday
  - Day 4 = Thursday
  - Day 5 = Friday
  - Day 6 = Saturday
  - Day 7 = Sunday

4. Press Enter to Modify Day 1 or Press ^ to navigate to the desired day and Press Enter to Select
5. P1 will be displayed on screen
6. Press Enter to select P1, to navigate to P2, P3 or P4 press ^ and press Enter to select
7. ON will be highlighted, press Enter to set the on Time
8. Press v or ^ to adjust the on Hour time, press Enter to Confirm
9. Press v or ^ to adjust the on Minute time, press Enter to Confirm
10. Press v or ^ to adjust the Temperature setting, press Enter to Confirm
11. Press v or ^ to adjust the off Hour time, press Enter to Confirm
12. Press v or ^ to adjust the off Minute time, press Enter to Confirm

Press Enter to modify Programme P2, follow steps 5-12, Press ^ to skip to P3  
 Press Enter to modify Programme P3, follow steps 5-12, Press ^ to Skip to P4  
 Press Enter to modify Programme P4, follow steps 5-12

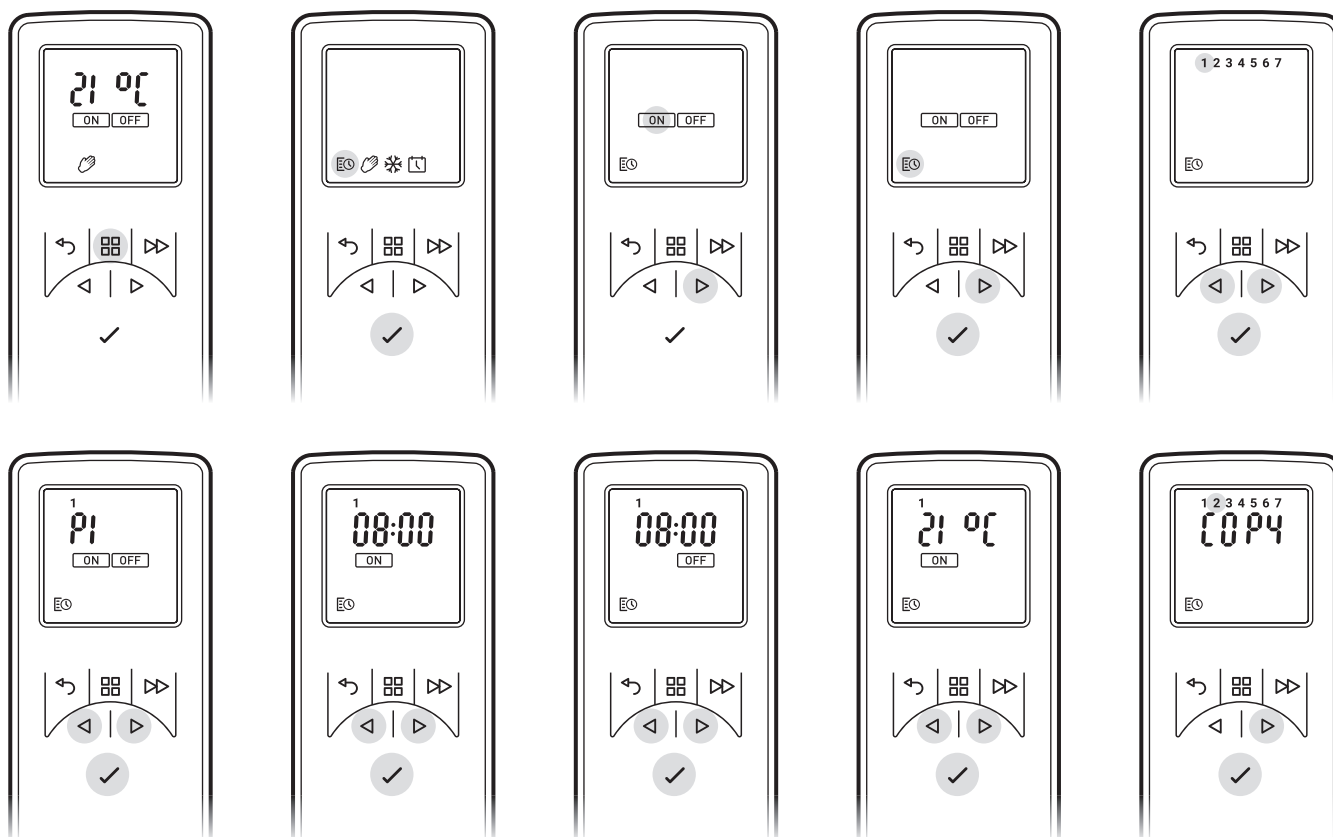
To copy newly programmed P1-P4 heating programmes to other days press the Enter button.

Copy will be displayed on screen

To copy to the next day in sequence, press ^ button. To deselect the next day in sequence press Enter button.

The days of the week that are selected will be displayed at the top of the screen. The days that have been deselected will not be visible (see Diagrams).

Press Enter to confirm, backlight will flash and return to home screen.

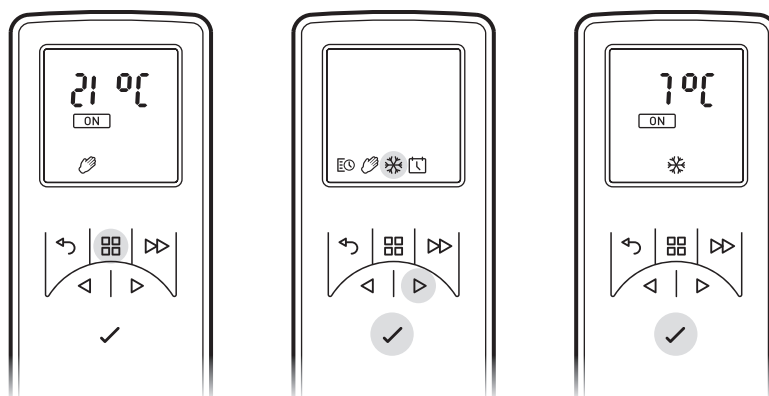


Manual Mode - To choose a constant heat mode. This mode ignores the User Timer and maintains the displayed temperature.

- Press Menu Button
- Press ^ twice to highlight the Hand icon
- Press Enter to Confirm
- Use v and ^ to adjust to the desired temperature

Frost protect - Frost protect mode maintains a room temperature of 7°C throughout a 24 hour period. This mode should be used to provide protection against frost as indicated by the Frost icon.

- Press the Menu button
- Press ^ three times to highlight the snowflake icon
- Press Enter to confirm
- Press v or ^ to exit this mode and enter manual mode.



### Getting the Desired Flame Effect

1. Using the remote control press MENU, FIRE on the display will be flashing, press ENTER. The current setting will be displayed. Press ^ or v to toggle between F1 and F6. F1 being the lowest setting and F6 being the highest setting.
2. Generally the flames appear more realistic when the flame control is turned down.
3. Give the flame generator time to react to changes you may make.
4. The fire will use less water if the flame effect is set to a lower level.
5. Do not tilt or move the fire while there is water in the tank or sump.
6. Make sure that the fire is on a level floor.

### Customising the display

The maximum temperature set point on the product is 32°C You have the option to reduce this set point. You can also change °C to °F

1. Press the Menu button.
2. Press the ADV button twice - SP will be blinking.
3. Press Enter to confirm.
4. Press v or ^ to choose between °C and °F.
5. Press Enter to confirm.
6. Press v or ^ to choose your maximum temperature set point.
7. Press Enter to confirm.
8. Press BACK three times to return to the home screen.



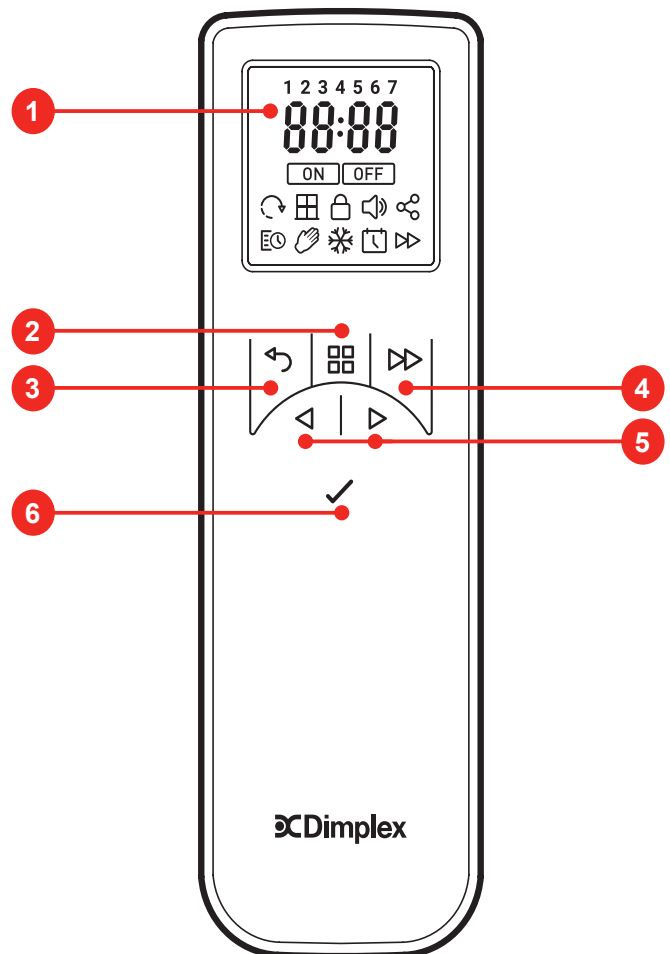
## Adaptive Start

The built-in electronics in this appliance have a learning function with regards to how long it takes to heat up a room. Having learnt how quickly it can heat up your room, the appliance is able to turn on at just the right time in order to get the room up to a comfortable temperature when you want it. For example, if you get up at 7am, you would normally have to guess when to turn the heating on in order for it to pre-heat the room in time. Depending on how cold it is outside, this could mean the room is still cold when you have to get out of bed, or mean that its been warm for half an hour before it needed to be. Adaptive Start means that if you select 21°C at 7am, the heater will turn on exactly when it needs to in order to meet this target, running for shorter periods of time when the weather is mild, and ensuring the room is nice and warm in the winter.

The Adaptive Start function will automatically activate when you use the Timer Mode.

## Remote Control

- 1 Display Screen
- 2 'Menu' Button
- 3 'Back' Button
- 4 'Advance' Button
- 5 'Up and Down' Arrows
- 6 'Enter' Button



### **WARNING: ALWAYS DISCONNECT FROM THE POWER SUPPLY BEFORE ATTEMPTING ANY MAINTENANCE**

#### **Fitting Replacement lamps.**

If a large amount of the smoke appears grey or colourless it may be that one or more lamps have failed.

You can check for lamp failure as follows.

1. Leaving the flame effect on, gently pull the drawer fully out by the tab. (See Fig. 3)
2. View the lamps from a distance in front of the fire and observe which lamp needs to be changed.
3. Put Switch 'A' in the 'OFF' position, and unplug the fire from the mains.
4. Leave the appliance for 20 minutes to allow the lamps to cool down before removing them.
5. Remove the water tank by lifting upwards and place in a sink.
6. Remove the sump as described in the Cleaning Section.
7. Remove the defective lamp, by gently lifting vertically and disengaging the pins from the lamp holder, (See Fig.4 and 5). Replace with an original, 12V, 45w, Gu5.3 base, 8° beam angle, coloured lamp. Purchase the lamps from your supplier
8. Carefully insert the two pins of the new lamp into the two holes in the lamp holder. Push firmly in place. (See Fig. 4 and 5).
9. Replace the Sump and water tank and carefully close the drawer.
10. Switch on.

#### **Filling the water tank.**

When the water tank is empty, flame and smoke effect shuts off, and you will hear 2 audible 'beeps'. Follow these steps to refill:

1. Press Switch 'A' to **(0)** (See Fig. 2)
2. Gently pull out the drawer as far as possible by the tab. (See Fig. 3)
3. Remove the water tank by lifting upwards and outwards.
4. Place the water tank in sink and remove cap, Anti-clockwise to open. (See Fig. 6)
5. Fill tank with **tap water with a maximum hardness of 10 dH only**. This is necessary to prolong the life of the flame and smoke producing unit. In situations with a higher water hardness, the water should be filtered (for example with a Maxtra filter). **Do not use a decalcifier.**
6. Screw the cap back on, **do not overtighten**.
7. Return the tank to the sump, with the tank cap facing down and the flat side of the tank facing outward.
8. Gently push the drawer back in as far as it will go.
9. Press Switch 'A' to 'ON' ( I ) position (See Fig. 2)
10. Press Switch 'B' once to turn on flame effect. (See manual control section and Fig. 2)

#### **Cleaning.**

#### **WARNING – ALWAYS DISCONNECT FROM THE POWER SUPPLY BEFORE CLEANING THE HEATER.**

We Recommend cleaning the following components once every 2 weeks, particularly in hard water areas:-

Water Tank, Sump and Seal, Sump lid, Tank cap and seal, Air filter.

For general cleaning use a soft clean duster – never use abrasive cleaners. To remove any accumulation of dust or fluff the soft brush attachment of a vacuum cleaner should occasionally be used to clean the outlet grille of the fan heater.

#### **Water tank**

1. Remove water tank, as described earlier, put into sink and empty water.
2. Using the supplied brush gently rub the inside surfaces of the cap paying particular attention to the rubber ring in the outer groove and the centre rubber seal.
3. Put a small quantity of washing up liquid into the tank, refit the cap and shake well, rinse out until all traces of washing up liquid are gone.
4. Refill with filtered tap water only, replace the cap, do not overtighten.

#### **Sump**

1. Press Switch 'A' to the 'OFF' **(0)** position
2. Gently pull the drawer out as far as possible. (See Fig. 3)
3. Remove the water tank by lifting upwards.
4. Disconnect the electrical connector, located on the left side of the sump, by first loosening the two retaining screws and gently withdrawing the connector. (See Fig. 8)
5. Release the lower sump locking tabs by turning 90°, this allows the sump to be lifted completely from its location. (See Fig. 9)
6. Gently lift up the sump assembly, taking care to keep level so as not to spill any water. Sit the assembly in the sink. (See Fig. 10)
7. Release the two upper sump locking tabs by turning 90°, then lift off the sump lid. (See Fig. 11)
8. Carefully tilt, as shown, so that the liquid drains out of the sump. (See Fig. 12)

9. Put a small amount of washing up liquid into the sump, and using the supplied brush, gently clean all surfaces including the metal disc and the rubber seal located in the top grooved surface. **Do not remove the rubber seals.** (See Fig. 13 and 14)
10. When cleaned, thoroughly rinse the sump with clean water.
11. Clean the outlet surface of the sump lid with the brush and flush out thoroughly with water. (See Fig. 15 & 16)
12. Reverse the above steps to reassemble.

#### **Air filter.**

1. Press Switch 'A' to the 'OFF' (0) position (See Fig. 2)
2. Gently pull the drawer out as far as possible. (See Fig. 3)
3. Remove the tank and place in a sink with the cap facing upwards.
4. Gently slide upwards the air filter plastic holder. (See Fig. 17)
5. Remove the filter combination from the plastic holder.
6. Gently rinse with water in the sink and dry with fabric towel before returning.
7. Replace the filter combination making sure that the coarse black filter is in contact with the plastic holder. (See Fig. 18)
8. Replace the tank.
9. Close the drawer fully.
10. Press Switch 'A' to the 'ON' ( I ) position (See Fig. 2)

### **Additional Information**

#### **Recycling.**



For electrical products sold within the European Community. At the end of the electrical products useful life it should not be disposed of with household waste. Please recycle where facilities exist. Check with your Local Authority or retailer for recycling advice in your country.

#### **After Sales Service.**

Your product is guaranteed for one year from the date of purchase. Within this period, we undertake to repair or exchange this product free of charge (excluding lamps & subject to availability) provided it has been installed and operated in accordance with these instructions. Should you require after sales service or should you need to purchase any spares, please contact the retailer from whom the appliance was purchased or contact the service number relevant to your country on the warranty card. Please do not return a faulty product to us in the first instance as this may result in the loss or damage and delay in providing you with a satisfactory service. Please retain your receipt as proof of purchase.

## Troubleshooting

Symptom	Cause	Corrective Action
The flame effect will not start.	<p>Mains plug is not plugged in.</p> <p>Switch A is in the 'ON' ( I ) position, but mode Switch B has not been pressed. (See Fig. 2)</p> <p>Low water level.</p> <p>Low voltage connector not connected properly. (See Fig. 8)</p>	<p>Check plug is connected to wall socket correctly.</p> <p>Press Switch B once for flame effect. (See Fig. 2)</p> <p>Check the water tank is full and there is water in the sump.</p> <p>Check that the connector is inserted correctly. (See Fig. 8)</p>
The flame effect is too low.	<p>Flame effect is set too low.</p> <p>The water in the sump may be too high due to the drawer being opened and closed a number of times, water tank removed a number of times, or the fire has been moved.</p> <p>Metal Disc at the base of Sump might be dirty (See Fig. 13)</p>	<p>Increase level of flame by using remote control. (See Section Operating the Product)</p> <p>If water level in the sump is more than 40mm, the sump should be removed and emptied in the sink.</p> <p>Clean Metal Disc with soft brush supplied. (See Fig. 13) See 'Maintenance.' for a step by step procedure.</p>
Unpleasant smell when unit is used.	Dirty or stale water.	<p>Clean the unit as described under maintenance.</p> <p>Only use tap water in this appliance with a maximum hardness of 10 dH.</p>
The flame effect has too much smoke.	Flame effect setting is too high.	Turn the flame effect Thumb Wheel 'D' down to minimum and slowly turn up, about ¼ a turn, at a time. Give the flame generator some time to adjust before increasing. (See Fig. 2)
Main lamps are not working and there are no flames or smoke.	There is no water in the tank.	<p>Follow instructions under <b>Maintenance</b>, 'Filling the water tank'.</p> <p>Check the plug is connected to wall socket correctly.</p> <p>Switch 'A' Fig. 2 is in the 'ON' ( I ) position.</p> <p>Press switch 'B' Fig. 2 until you can hear one beep only, for flame effect.</p>
Condensation on the glass	<p>The mist setting is too high</p> <p>The glass may be cold during product start-up</p>	<p>Reduce the mist intensity by turning the thumb wheel 'D' down</p> <p>Reduce the mist intensity to low and turn switch 'C' to high speed.</p> <p>Run the product under this setting until the glass clears then return to your preferred setting.</p> <p>Repeat this procedure should condensation return</p>

**BELANGRIJK: DEZE INSTRUCTIES DIENEN ZORGVULDIG DOORGELEZEN EN VOOR TOEKOMSTIG GEBRUIK BEWAARD TE WORDEN.**

Bij het gebruik van elektrische apparaten dienen de elementaire voorzorgmaatregelen altijd in acht genomen te worden, om het risico op brand, elektrische schokken en verwondingen bij personen te voorkomen, inclusief het volgende:

Neem, als het apparaat beschadigd is, contact op met de leverancier vóórdat dit geïnstalleerd en gebruikt wordt.

Niet buiten gebruiken.

Niet in de directe omgeving van een bad, douche of zwembad gebruiken.

Het apparaat niet rechtstreeks onder een vast stopcontact of aansluitdoos plaatsen.

Dit apparaat kan worden bediend door kinderen van 8 jaar en ouder en door personen met verminderde fysieke, zintuiglijke of geestelijke capaciteiten of gebrek aan ervaring en kennis, als zij onder supervisie staan of instructies krijgen ten aanzien van het veilige gebruik van het apparaat en begrijpen welke gevaren zich kunnen voordoen. Kinderen mogen niet met het apparaat spelen. Reinigen en onderhoudswerkzaamheden mogen niet door kinderen zonder supervisie uitgevoerd worden.

Kinderen van 3 jaar of jonger moeten uit te buurt gehouden worden, behalve wanneer zij onder constante supervisie staan. Kinderen vanaf 3 jaar, maar jonger dan 8 jaar, mogen het apparaat alleen aan/uit zetten, op voorwaarde dat dit in de normale gebruiksstand geplaatst of geïnstalleerd is en ze begeleiding of instructie hebben gekregen ten aanzien van het veilige gebruik van het apparaat en de betreffende gevaren begrijpen. Kinderen ouder dan 3 en jonger dan 8 jaar mogen de stekker van het apparaat niet in het stopcontact steken, hem instellen en reinigen, of onderhoudswerkzaamheden uitvoeren.

Gebruik dit apparaat niet in serie geschakeld met een thermische bediening, een programmabediening, een timer of ieder ander apparaat, omdat er een brandrisico bestaat als de verwarming per ongeluk afgedekt of verplaatst wordt.

Dit apparaat is niet uitgerust met een inrichting om de kamertemperatuur te controleren. Gebruik dit apparaat niet in kleine ruimtes als ze worden gebruikt door mensen die niet zelfstandig de ruimte kunnen verlaten, behalve als er constante supervisie aanwezig is.

Zorg ervoor dat meubelen, gordijnen en andere brandbare materialen zich op meer dan 1 meter van het apparaat bevinden.

Haal in het geval van een storing de stekker van het apparaat uit het stopcontact.

Haal de stekker van het apparaat uit het stopcontact als hij langere tijd niet wordt gebruikt.

Hoewel het apparaat aan de veiligheidsnormen voldoet, raden wij het gebruik op hoogpolig tapijt of langharige kleden af.

Het apparaat moet zodanig gepositioneerd worden dat de stekker bereikbaar is.

Als het snoer beschadigd is, moet hij vervangen worden door de fabrikant of servicedienst of een vergelijkbaar gekwalificeerd persoon om een gevaar te voorkomen.

Het snoer uit de buurt van de voorkant van het apparaat weghouden.

Opgelet: Het apparaat niet afdekken om oververhitting te voorkomen. Geen materiaal of kleding op het apparaat leggen, of de luchtcirculatie om het apparaat verhinderen, door bijvoorbeeld gordijnen of meubels, omdat dit tot oververhitting en brandgevaar kan leiden.

Opgelet: Om gevaar door onbedoeld resetten van de thermische beveiliging te voorkomen, mag dit apparaat niet worden gevoed via een extern schakelapparaat, zoals een timer, of worden aangesloten op een systeem dat het apparaat regelmatig in- en uitschakelt.

**WAARSCHUWING** - Sommige onderdelen van dit product kunnen heel heet worden en brandwonden veroorzaken. Er moet extra worden opgelet wanneer er kinderen en kwetsbare personen aanwezig zijn.

## Algemene informatie

Verwijder de kachel voorzichtig uit de verpakking en bewaar deze voor mogelijk toekomstig gebruik voor verhuizingen of het terugbrengen van de kachel naar de verkoper. De afstandsbediening, batterijen en lampen zijn afzonderlijk verpakt in de doos.

De haard heeft een vlammeffect die met of zonder warmte gebruikt kan worden, zodat op elk moment van het jaar genoten kan worden van de gezelligheid die het biedt. Voor gebruik van alleen het vlammeffect is maar een klein beetje elektriciteit nodig.

Controleer alvorens de stekker van de verwarming in het stopcontact te steken of het voltage hetzelfde is als op de verwarming aangegeven wordt.

Opgelet: Bij gebruik in omgeving met weinig achtergrondgeluid kan een geluid hoorbaar zijn als het vlammeffect geselecteerd wordt.. Dit is normaal en niet iets om u zorgen over te maken.

### Elektrische aansluiting.

#### WAARSCHUWING - DIT APPARAAT MOET GEAARD ZIJN.

Deze kachel mag alleen gevoed worden met wisselstroom en het op kachel aangegeven voltage moet overeenkomen met het voltage van de stroomtoevoer.

Lees vóór het inschakelen de veiligheidswaarschuwingen en bedieningsinstructies door.

#### BEWAAR DEZE GEBRUIKSHANDLEIDING VOOR TOEKOMSTIGE RAADPLEGING

Plaats de plastic onderdelen van de Opti-myst niet in een vaatwasmachine.

Trek de la er alleen uit als het waterreservoir bijgevuld moet worden of als er een lamp vervangen moet worden.

U zult anders het waterniveau en de werking van het vlammeffect onbedoeld wijzigen.

Alleen kraanwater met een maximale hardheid van 10 dH in dit apparaat gebruiken.

Zorg er altijd voor dat het apparaat op een vlakke ondergrond staat.

Als u het apparaat langer dan 2 weken niet gebruikt, laat dan het water uit de opvangbak en uit het waterreservoir lopen en maak de opvangbak droog.

Eenmaal geïnstalleerd, mag dit apparaat nooit verplaatst of op zijn rug gelegd worden, zonder dat het water uit de opvangbak en de watertank is verwijderd.

Het waterreservoir, de opvangbak, het deksel van de opvangbak, de tankdop en luchtfilters moeten om de 2 weken gereinigd worden vooral in gebieden met hard water.

Het apparaat mag nooit worden gebruikt als de lampen niet werken.

De lampen moeten regelmatig worden geïnspecteerd zoals beschreven onder 'Onderhoud' en 'Lampen vervangen'.

### Technische informatie

Modelnr: 3-staps E

Warmte-uitvoer		230V	240V	
Nominale warmteafgifte	$P_{\text{Nom.}}$	0.9	1.0	kW
Minimale warmteafgifte	$P_{\text{min.}}$	0.9	1.0	kW
Maximale continue warmteafgifte	$P_{\text{max.}}$	0.9	1.0	kW
Aanvullend elektriciteitsverbruik				
In de stand-by-modus	$P_{\text{Nom.}}$	0.87	0.93	W

Elektronische bediening van de kamertemperatuur plus weektimer

## Installatie-instructies

De 3-stap kan worden aangepast aan 3 stijlen, de Triple (3-kantsruit), de Duet (2-kantsruit) en de Relax (alleen voorruit). Het product wordt al geleverd als Relax. Om te wisselen tussen modellen, bevestigt u de zuignappen op de voorste ruit en tilt u het glas naar boven, vervolgens naar beneden en weg van het product, zie Afb. 3a. Verwijder het rubberen koord boven- en onderaan de binnenkant van de zijruit. Schuif de metalen zijplaat en de zijruit samen naar buiten, zie Afb. 3b. Scheid de zijruit af en schuif het terug op zijn plek. Gebruik het grotere rubberen koord om de zijruit op zijn plek te bevestigen, zoals te vinden in het instructiepakket. Vervang de voorruit door de bovenstaande stappen in omgekeerde volgorde te herhalen. Gebruik de zuignappen om de zijruit zodanig te verstellen dat u zowel de voorruit als de zijruit goed hebt geplaatst. Zorg ervoor dat er een ruimte van 300 mm is tussen de bovenkant van het vuur en de onderkant van de plank. **Muurmontage:** bouw een platform waarop het apparaat kan staan. Met de dimensies in Afb. 1 monteert u de muurbeugelsteun vlak en in een gewenste positie op de muur met 4 geschikte bevestigingen voor uw muur. Houd met twee personen het vuur aan de zijkanten vast en manoeuvreer voorzichtig in positie en hang het vuur aan de muurbeugel op. Onder het apparaat bevinden zich vier instelbare steunen voor het nivelleren, waarbij de voet van de openhaardopening boven het niveau van het platform wordt geheven. Zorg er bij het opbouwen van de frontlijst voor dat er aan de voorkant een opening aanwezig is, zodat er lucht bij het product kan komen, zie Afb. 21. Dit is essentieel voor het vlammeffect. Zorg er ook voor dat er ontluchting aan de bovenkant van het product is. Dit is van essentieel belang voor het correct functioneren van de kachel, zie Afb. 20.

### Ij raden u het volgende aan voordat u het apparaat installeert:

1. Kies de gewenste driestaps-stijl en breng de vereiste aanpassing aan het apparaat aan
2. Laat uw schoorsteen vegen door een erkende schoorsteenveger.
3. U sluit het rookkanaal af.

Deze procedure is belangrijk voor een efficiënte werking van de verwarmingseenheid en zal ook warmteverlies via de schoorsteen voorkomen.

### Installatie.

**Zorg ervoor dat alle verpakingsartikelen zijn verwijderd (lees eventuele waarschuwingsetiketten zorgvuldig). Pak de kachel voorzichtig uit en bewaar de verpakking voor mogelijk toekomstig gebruik, in het geval dat de kachel wordt verplaatst of naar uw leverancier wordt geretourneerd.**

U kunt nu beginnen met de installatie. Zorg ervoor dat het apparaat **UIT staat**.

Gebruik de juiste bevestigingen voor uw muur om de muurbeugel aan de muur te bevestigen. Sluit het apparaat aan op een stopcontact van 13 Amp/240 Volt. Zorg ervoor dat de voedingskabel aan de achterkant van de kachel er in de linker- of rechterhoek uitkomt, afhankelijk van de positie van het stopcontact en niet onder de kachel vastzit, om zo te voorkomen dat hij beschadigd raakt.

**Vul, voordat de handmatige bediening gebruikt wordt, eerst het waterreservoir (Zie “Onderhoud”, “Het vullen van het waterreservoir”).**

## Het vuur bedienen

**WAARSCHUWING: HET NIET VOLGEN VAN DEZE BEDIENINGSINSTRUCTIES KAN LETSEL EN/OF SCHADE TOT GEVOLG HEBBEN.**


### Handmatige bedieningselementen

De handmatige bedieningselementen van de Opti-myst bevinden zich aan de onderkant van het apparaat. (Zie Afb. 2 voor de indeling van de handmatige bediening)

Schakelaar 'A': regelt de stroomtoevoer naar het apparaat.

Opmerking: Deze schakelaar moet in de 'AAN' (I) positie staan om de kachel te laten werken, met of zonder warmte, wanneer deze wordt geactiveerd.


Schakelaar 'B':  éénmaal indrukken om het vlameffect in te schakelen. Dit wordt aangegeven door een hoorbare pieptoon. Hoewel de hoofdlampen onmiddellijk werken, duurt het nog 45 seconden, voordat het vlameffect begint.

Indrukken  om de kachel in de stand-by-modus te zetten. Dit wordt aangegeven door één pieptoon.

### Afstandsbediening

De afstandsbediening wordt met 2 AA-batterijen in een zakje geleverd. Haal het batterijklepje aan de achterkant van de afstandsbediening omhoog en plaats de batterijen. Let daarbij op de polariteit (+ en -).

De afstandsbediening is tijdens de fabrieksmontage reeds aan uw product gekoppeld. In het onwaarschijnlijke geval dat de afstandsbediening de verbinding met het product verliest, of u een additionele afstandsbediening krijgt, moet u de koppelingsprocedure opnieuw uitvoeren:

1. Wanneer het product op de elektriciteit aangesloten is, zet u A op de AAN (I) stand. U moet een pieptoon horen.
2. Houd 'knop 6' ingedrukt totdat "PAIR" op het scherm verschijnt.
3. Houd de afstandsbediening dicht bij het product waar de ontvanger zich bevindt . Zie Afb. 3C.
4. Het product zal beginnen te piepen en te knippen.
5. Druk op 'knop 6' om de koppelingsprocedure te voltooien. Het product schakelt over naar de stand-bystand.

### Het apparaat inschakelen

De ENTER knop indrukken en 3 seconden ingedrukt houden om de afstandsbediening te activeren. FIRE (Vuur) wordt weergegeven en ON zal knippen. Druk op ENTER om het apparaat aan te zetten. Om het apparaat uit te schakelen, drukt u op MENU, zodat FIRE (Vuur) gaat knippen, druk vervolgens tweemaal op ENTER.

### De vlaminstelling aanpassen

Druk éénmaal met de geactiveerde afstandsbediening. FIRE (Vuur) zal op de weergave beginnen te knippen. Indrukken ENTER. De huidige vlaminstelling wordt weergegeven F1-F6. Druk op de UP en DOWN knoppen om de instelling aan te passen. Nadat u uw vlaminstelling hebt geselecteerd, drukt u tweemaal op BACK om het menu te verlaten en terug te keren naar het startscherm.

### De warmte inschakelen

Druk eenmaal op MENU met de geactiveerde afstandsbediening. FIRE (Vuur) zal op de weergave beginnen te knippen. Druk éénmaal op ADV en het woord HEAT zal gaan knippen. Druk op ENTER. De huidige warmte-instelling wordt weergegeven: OFF, LO, HI. Druk op de UP en DOWN knoppen om de instelling aan te passen. Nadat u uw vlaminstelling hebt geselecteerd, drukt u op ENTER.

### De thermostaat instellen

De temperatuur die op het display wordt weergegeven, is het instelpunt voor de kamertemperatuur. Dit is de temperatuur

die de kachel tijdens de opwarmingsperioden zal aanhouden. Als de kamertemperatuur hoger is dan deze temperatuur, zal de kachel niet werken. De kachel verlaat de fabriek met deze temperatuur ingesteld op 15 °C, wat met een comfortabele kamertemperatuur overeenkomt. Als u een andere kamertemperatuur wenst, drukt u in het startscherm op omhoog of omlaag, totdat de display de door u gewenste temperatuur weergeeft.

### Thermische veiligheidsschakelaar

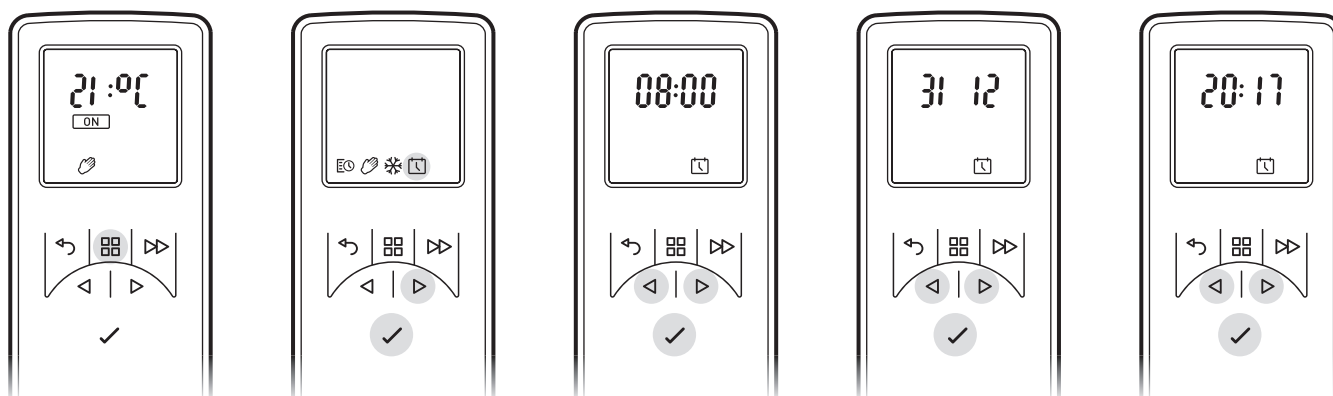
In de kachel is een thermische veiligheidsschakelaar ingebouwd om schade door oververhitting te voorkomen. Dat kan gebeuren wanneer de warmte-uitgang op één of andere manier geblokkeerd is. Als de uitschakeling optreedt, haal dan de stekker van de kachel uit het stopcontact en wacht ongeveer 10 minuten, voordat u hem opnieuw aansluit. Voordat u de kachel weer inschakelt, moet u eventuele obstakels verwijderen die de warmte-uitgang belemmeren en vervolgens kunt u de normale werking voortzetten.

OPGELET: Om gevaar door het onbedoeld resetten van de thermische beveiliging te voorkomen, mag dit apparaat niet worden aangesloten via een extern schakelapparaat, zoals een timer, of worden aangesloten op een systeem dat de kachel regelmatig in- en uitschakelt.

### Datum en tijd instellen

Om de datum en tijd op de kachel in te stellen:

1. Druk op de Menu-knop
2. Druk 4 keer op de ^ knop
3. Druk op Enter wanneer het pictogram Datum/tijd knippert
4. Druk op Enter om de tijd in te stellen
5. Druk op v en ^ om het uur in te stellen en druk op Enter
6. Druk op v en ^ om de minuten in te stellen en druk op Enter om de tijd te bevestigen
7. Druk op v en ^ om de dag in te stellen en druk op Enter
8. Druk op v en ^ om de maand in te stellen en druk op Enter
9. Druk op v en ^ om het jaar in te stellen en druk op Enter om de datum te bevestigen



### Modi van de afstandsbediening

Gebruikerstimer: Biedt gebruiker de grootste flexibiliteit. Voor iedere dag zijn er 4 tijdslots beschikbaar en deze kunnen voor elke dag van de week worden aangepast. Zie "Een modus kiezen en instellen" voor instructies over het aanpassen van deze instellingen die vanuit de fabriek een aantal standaardtemperaturen hebben meegekregen.

Handmatige modus: In deze modus wordt de kamer verwarmd tot de temperatuur, waarop u de afstandsbediening hebt ingesteld.

Vorstbescherming: In deze modus wordt een kamertemperatuur van 7 °C aangehouden. Deze modus moet worden gebruikt om bescherming tegen vorst te bieden, zoals aangegeven in het vorstpictogram.

### Een modus kiezen en instellen

Gebruikerstimer - Om de fabrieksstandaarden van de timer-modi opnieuw te programmeren:

1. Druk op de Menuknop
2. Druk één keer op ^ tot het schema-pictogram knippert. Druk op Enter
3. Druk tweemaal op ^ en dan op Enter

\*Weekdagen worden nu bovenaan het scherm weergegeven\*

Dag 1 = Maandag

Dag 2 = Dinsdag

Dag 3 = Woensdag

Dag 4 = Donderdag

Dag 5 = Vrijdag

Dag 6 = Zaterdag

Dag 7 = Zondag



4. Druk op Enter om Dag 1 te wijzigen of druk op ^ om naar de gewenste dag te gaan en druk vervolgens op Enter om de dag te selecteren
5. Op het scherm wordt weergegeven: P1
6. Druk op Enter om P1 te selecteren, om naar P2, P3 of P4 te navigeren, drukt u op ^ en druk daarna op Enter om te selecteren
7. ON wordt gemarkeerd, druk op Enter om de Time (tijd) in te stellen
8. Druk op v en ^ om het uur van de inschakeltijd in te stellen en druk op Enter om te bevestigen
9. Druk op v en ^ om de minuut van de inschakeltijd in te stellen en druk op Enter om te bevestigen
10. Druk op v en ^ om de temperatuur in te stellen en druk op Enter om te bevestigen
11. Druk op v en ^ om het uur van de uitschakeltijd in te stellen en druk op Enter om te bevestigen
12. Druk op v en ^ om de minuut van de uitschakeltijd in te stellen en druk op Enter om te bevestigen

Druk op Enter om programma P2 te wijzigen, volg stappen 5-12, druk op ^ om naar P3 te gaan  
 Druk op Enter om programma P3 te wijzigen, volg stappen 5-12, druk op ^ om naar P4 te gaan  
 Druk op Enter om programma P4 te wijzigen, volg stappen 5-12

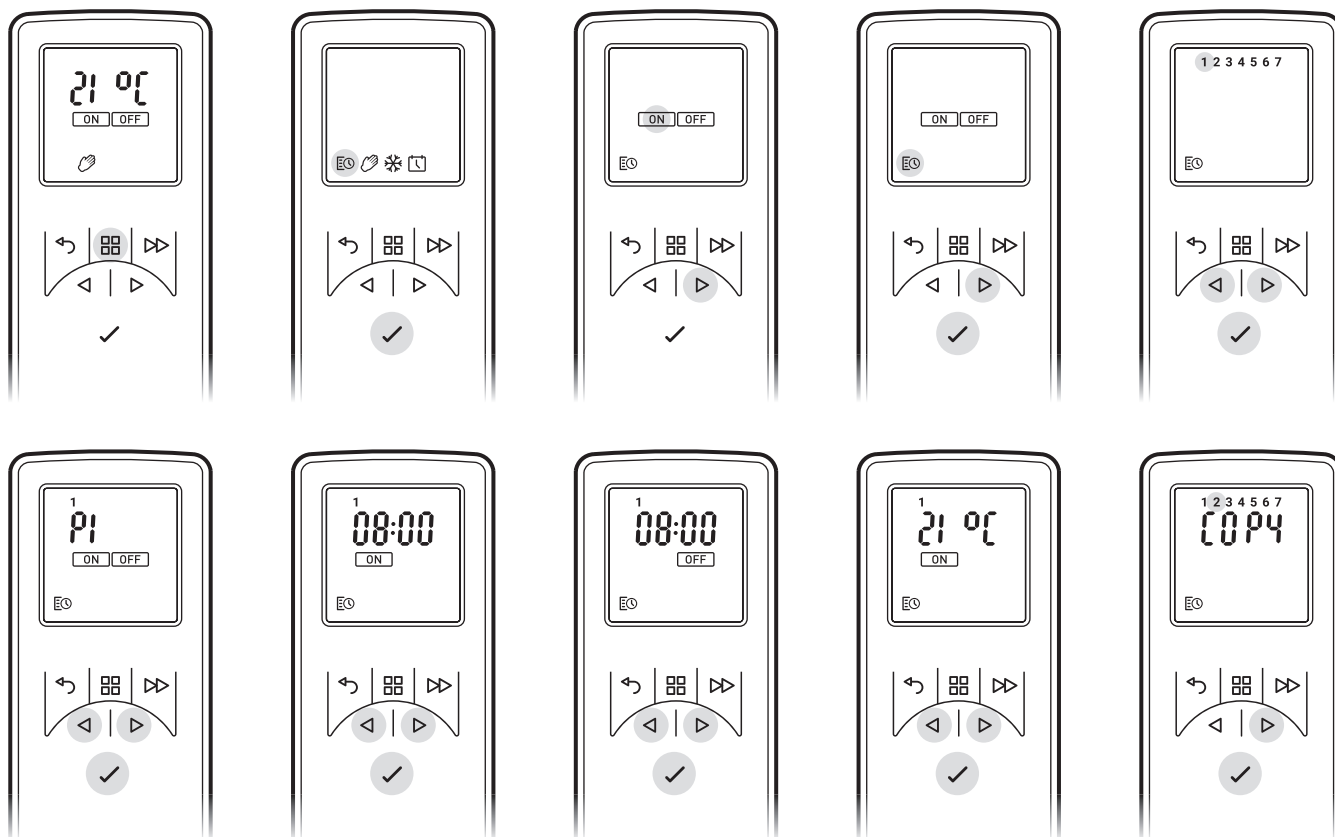
Om de nieuw geprogrammeerde instellingen van P1-P4 naar de andere dagen te kopiëren, drukt u op de Enter-knop.

Kopiëren wordt op het scherm weergegeven

Druk op de toets ^ om naar de volgende dag in de reeks te kopiëren. Om de volgende dag in de reeks te deselecteren, drukt u op de Enter-knop.

De dagen van de week die zijn geselecteerd, worden bovenaan in het scherm weergegeven. De dagen die zijn gedeselecteerd, zijn niet zichtbaar (zie diagrammen).

Druk op Enter om te bevestigen, de achtergrondverlichting knippert en u keert terug naar het startscherm.

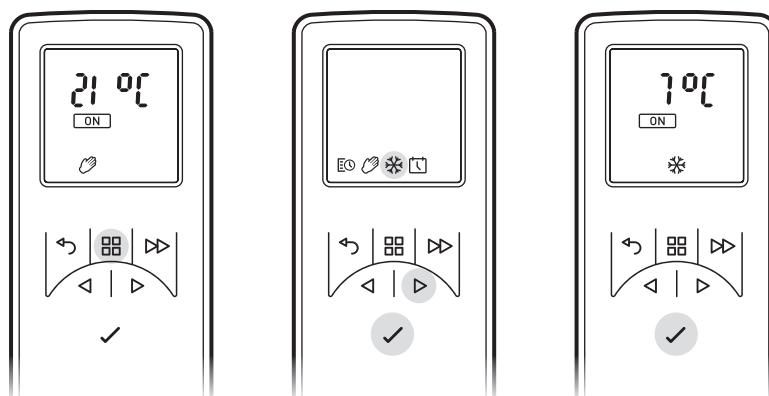


Handmatige modus: - Om een constante verwarmingsmodus te kiezen. Deze modus negeert de gebruikerstimer en handhaaft de weergegeven temperatuur.

- Druk op de Menuknop
- Druk twee keer op ^ om het handpictogram te markeren
- Druk op Enter om te bevestigen
- Gebruik v en ^ om de gewenste temperatuur aan te passen

Vorstbescherming - De vorstbeschermingsmodus handhaaft een kamertemperatuur van 7 °C, gedurende een periode van 24 uur. Deze modus moet worden gebruikt om bescherming tegen bevriezing te bieden, zoals aangegeven in het vorstpictogram.

- Druk op de Menuknop
- Druk driemaal op ^ om het sneeuwvlok-pictogram te markeren
- Druk op Enter om te bevestigen
- Druk op v of ^ om deze modus te verlaten en naar de handmatige modus te gaan.



### Het gewenste vlameffect instellen

1. Druk op de afstandsbediening op MENU en op het display knippert FIRE (Vuur), druk vervolgens op ENTER. De huidige vlaminstelling wordt weergegeven. Druk op ^ of v om tussen F1 en F6 heen en weer te gaan. F1 is de laagste instelling en F6 is de hoogste instelling.
2. In het algemeen lijken de vlammen het meest realistisch wanneer de vlamcontrole laag is ingesteld.
3. Geef de vlamgenerator de tijd om te reageren op de wijzigingen die u aanbrengt.
4. Het vuur gebruikt minder water als het vlameffect op een lager niveau staat ingesteld.
5. Kantel of verplaats het vuur niet, terwijl er water in het reservoir of in de opvangbak zit.
6. Zorg ervoor dat het vuur zich op een vlakke vloer bevindt.

### Het display aanpassen

De maximale temperatuurinstelling van het product is 32 °C. U hebt de mogelijkheid deze instelling te verlagen. U kunt ook °C naar °F wijzigen

1. Druk op de Menuknop.
2. Druk tweemaal op de ADV-knop en SP gaat knipperen.
3. Druk op Enter om te bevestigen.
4. Druk op v of ^ om te kiezen tussen °C en °F.
5. Druk op Enter om te bevestigen.
6. Druk op v of ^ om uw maximale temperatuurinstelling te kiezen.
7. Druk op Enter om te bevestigen.
8. Druk driemaal op TERUG om terug te keren naar het startscherm.

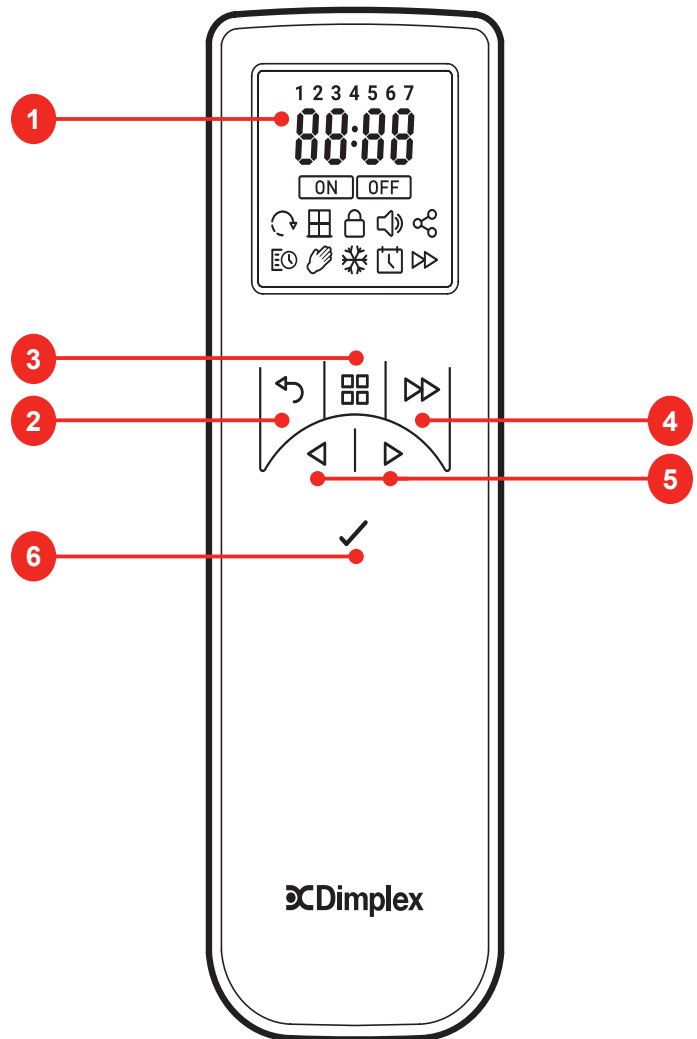
## Aangepaste start

De ingebouwde elektronica in dit apparaat heeft een leerfunctie en leert zelf hoe lang het duurt om een kamer te verwarmen. Omdat het heeft geleerd hoe snel het uw kamer kan verwarmen, zal het apparaat op het juiste moment inschakelen om de kamer op een aangename temperatuur te brengen op het moment dat u dat wilt. Als u bijvoorbeeld om 7 uur 's morgens opstaat, moet u normaal gesproken gissen wanneer u de verwarming moet inschakelen om de kamer op tijd op temperatuur te krijgen. Afhankelijk van hoe koud het buiten is, kan dit betekenen dat de kamer nog steeds koud is wanneer u uit bed komt of het betekent dat het al een half uur warm is, voordat het nodig was. Aangepaste start betekent, dat wanneer u 21 °C om 7 uur 's morgens instelt, de kachel op het juiste moment aangaat om deze doeltemperatuur te halen. Bij zacht weer verwarmt de kachel minder lang, bij koud weer wat langer, zodat de kamer in de winter lekker warm is.

De Aangepaste start wordt automatisch geactiveerd wanneer u de Timermodus gebruikt.

## Afstandsbediening

- 1 Weergavescherm
- 2 'Terug'-knop
- 3 'Menu'-knop
- 4 'Geavanceerd'-knop
- 5 'Omhoog en omlaag'-pijlen
- 6 'Enter'-knop



### **WAARSCHUWING: MAAK ALTIJD DE AANSLUITING OP DE STROOMVOORZIENING LOS VOORDAT U ONDERHOUD GAAT UITVOEREN**

#### **Montage van vervangende lampen.**

Als een grote hoeveelheid van de rook grijs of kleurloos lijkt, kan het zijn dat een of meer lampen stuk zijn.

U kunt lampstoringen als volgt controleren.

1. Laat het vlameffect aan en trek de lade voorzichtig helemaal uit het lipje. (Zie Afb. 3)
2. Bekijk de lampen van een afstand voor het vuur en kijk welke lamp moet worden vervangen.
3. Zet schakelaar 'A' in de 'OFF' stand en haal de stekker van de kachel uit het stopcontact.
4. Laat het apparaat 20 minuten staan om de lampen te laten afkoelen, voordat u deze verwijdert.
5. Verwijder het waterreservoir door het naar boven te tillen en plaats het in een gootsteen.
6. Verwijder de opvangbak zoals wordt beschreven in het gedeelte Reiniging.
7. Verwijder de defecte lamp door deze voorzichtig verticaal op te tillen en de pinnen van de lamphouder los te maken, (Zie Afb. 4 en 5). Vervang de lamp door een originele gekleurde 12V, 45W lamp met een Gu5.3-basis en 8° stralingshoek. Koop deze lamp van onze leverancier.
8. Steek de twee pinnen van de nieuwe lamp voorzichtig in de twee gaten in de lamphouder. Druk stevig op zijn plaats. (Zie Afb. 4 en 5).
9. Vervang de opvangbak en het waterreservoir en sluit de lade voorzichtig.
10. Schakel de kachel in.

#### **Het vullen van het waterreservoir.**

Wanneer het waterreservoir leeg is, schakelen de vlam- en rookeffecten zich uit en zult u 2 pieptonen horen. Volg deze stappen voor het bijvullen:

1. Druk op Schakelaar 'A' om **(0)** (Zie Afb. 2)
2. Trek de lade met het lipje voorzichtig zo ver mogelijk naar buiten. (Zie Afb. 3)
3. Verwijder het waterreservoir door het naar boven en naar buiten op te tillen.
4. Plaats het waterreservoir in de gootsteen en verwijder de dop: draai tegen de klok in om hem te openen (Zie Afb. 6)
5. Vul het reservoir alleen met **kraanwater met een maximale hardheid van 10 dH**. Dit is noodzakelijk om de levensduur van de vlam- en rookproducerende eenheid te verlengen. In situaties met een hogere waterhardheid moet het water gefilterd worden (bijvoorbeeld met een Maxtra-filter). **Gebruik geen ontkalker.**
6. Schroef de dop er weer op, **draai niet te strak aan**.
7. Plaats de waterreservoir weer in de opvangbak met de reservoirdop naar beneden gericht en de platte kant van het reservoir naar buiten.
8. Duw de lade voorzichtig helemaal naar binnen.
9. Zet Schakelaar 'A' op de 'ON' (1) stand (Zie Afb. 2)
10. Druk één keer op Schakelaar "B" op om het vlameffect in te schakelen. (Zie het hoofdstuk Handmatige bediening en Afb. 2)

#### **Reinigen**

### **WAARSCHUWING: HAAL ALTIJD DE STEKKER UIT HET STOPCONTACT VOORDAT DE VERWARMING SCHOONGEMAAKT WORDT**

We raden u aan om de volgende componenten eenmaal per 2 weken te reinigen, vooral in gebieden met hard water:

Waterreservoir, opvangbak en afdichting, deksel opvangbak, tankdop en afdichting, luchtfilter.

Gebruik voor normaal reinigen een zachte, schone stofdoek - gebruik nooit schuurmiddelen. Voor het verwijderen van stofophopingen of pluis kan soms de zachte opzetborstel van de stofzuiger gebruikt worden om het rooster van de fan schoon te maken.

#### **Waterreservoir**

1. Verwijder het waterreservoir, zoals eerder beschreven, zet het in de gootsteen en giet het water eruit.
2. Gebruik de meegeleverde borstel om de binnenkant van de dop voorzichtig af te wrijven, waarbij u vooral let op de rubberen ring in de buitenste groef en de middelste rubberen afdichting.
3. Doe een kleine hoeveelheid afwasmiddel in het reservoir, plaats de dop terug en schud goed, spoel het vervolgens uit, totdat alle resten afwasmiddel zijn verdwenen.
4. Vul het reservoir alleen met gefilterd leidingwater, plaats de dop terug en draai hem niet te vast.

#### **Opvangbak**

1. Zet schakelaar 'A' op de 'OFF'- **(0)** stand.
2. Trek de lade er voorzichtig zo ver mogelijk uit. (Zie Afb. 3)
3. Verwijder het waterreservoir door het naar boven te tillen.
4. Trek de elektrische stekker uit het stopcontact aan de linkerkant van de opvangbak, door eerst de twee schroeven los te draaien en de stekker er dan voorzichtig uit te trekken. (Zie Afb. 8)

5. Maak de onderste vergrendelingen van de opvangbak los door 90° te draaien, zodat het reservoir volledig van zijn plek kan worden getild. (Zie Afb. 9)
6. Til de opvangbak voorzichtig op en zorg ervoor dat hij waterpas blijft, zodat u geen water morst. Plaats hem in de gootsteen. (Zie Afb. 10)
7. Maak de twee bovenste vergrendelingen van de opvangbak los door deze 90° te draaien en til vervolgens het mondstuk op. (Zie Afb. 11)
8. Kantel voorzichtig, zoals aangegeven, zodat de vloeistof uit de opvangbak loopt. (Zie Afb. 12)
9. Doe een kleine hoeveelheid afwasmiddel in de opvangbak en gebruik de meegeleverde borstel om alle oppervlakken in de opvangbak en de omzetter voorzichtig schoon te maken, inclusief de metalen schijven en de rubberen afdichting in het bovenste gegroefde oppervlak. **Verwijder de rubberen afdichtingen niet.** (Zie Afb. 13 en 14).
10. Reinig na het afwassen de opvangbak grondig met schoon water.
11. Reinig het oppervlak van de uitgang van het deksel van de opvangbak met de borstel en spoel deze grondig uit met water. (Zie Afb. 15 en 16)
12. Voer de bovenbeschreven stappen in omgekeerde volgorde uit om het geheel weer in elkaar te zetten.

### Luchtfilter

1. Zet schakelaar 'A' in de 'OFF'- (0) stand (Zie Afb. 2)
2. Trek de lade er voorzichtig zo ver mogelijk uit. (Zie Afb. 3)
3. Verwijder het waterreservoir en plaats deze in een gootsteen met de dop naar boven gericht.
4. Schuif de plastic houder van het luchtfilter voorzichtig omhoog. (Zie Afb. 17)
5. Verwijder de filtercombinatie uit de plastic houder.
6. Voorzichtig met water in de gootsteen afspoelen en met een theedoek afdrogen, voordat het filter teruggeplaatst wordt.
7. Plaats de filtercombinatie terug en zorg ervoor dat het ruwe zwarte filter contact maakt met de plastic houder. (Zie Afb. 18)
8. Plaats het reservoir terug.
9. Sluit de lade volledig.
10. Zet schakelaar 'A' in de 'ON' ( I ) stand (Zie Afb. 2)

### Extra informatie

#### Recyclen



Voor elektrische producten die binnen de Europese Gemeenschap verkocht worden. Aan het einde van de levensduur van de elektrische producten, mogen deze niet met het huishoudvuil weggegooid worden. Recycle waar faciliteiten aanwezig zijn. Vraag uw plaatselijke overheid of winkelier wat de recyclerichtlijnen in uw land zijn.

#### Aftersales Service.

Uw product heeft een jaar garantie vanaf de aankoopdatum. Binnen deze periode repareren of nemen wij het product gratis terug (m.u.v. lampen & op basis van beschikbaarheid), op voorwaarde dat het volgens deze instructies geïnstalleerd en gebruikt is. Neem, als u aftersales service nodig hebt of reserveonderdelen wilt kopen, contact op met de winkelier waar u het apparaat gekocht hebt of bel het servicenummer van uw land zoals vermeld op het garantiebewijs. Stuur een defect product niet onmiddellijk naar ons terug. Dit kan verlies of beschadiging veroorzaken, of tot vertraging leiden bij het verlenen van een bevredigende service.

Bewaar het bonnetje als bewijs van aankoop.

## Probleemoplossen

Symptoom	Oorzaak	Corrigerende actie
Het vlameffect start niet.	<p>De stekker is niet aangesloten.</p> <p>Schakelaar A staat in de 'ON' ( I ) stand, maar modusschakelaar B is niet ingedrukt. (Zie Afb. 2)</p> <p>Laag waterniveau.</p> <p>Lage voltagesstekker is niet goed aangesloten. (Zie Afb. 8)</p>	<p>Controleer of de stekker correct in het stopcontact zit.</p> <p>Druk schakelaar B éénmaal in voor het vlameffect. (Zie Afb. 2)</p> <p>Controleer of het waterreservoir vol is en er water in de opvangbak zit.</p> <p>Controleer of de stekker er correct ingestoken is. (Zie Afb. 8)</p>
Het vlameffect is te laag.	<p>Het vlameffect is te laag ingesteld.</p> <p>Het water in de opvangbak kan te hoog zijn doordat de lade een aantal keren geopend en gesloten is, het waterreservoir een paar keer verwijderd is of de kachel verplaatst is.</p> <p>De metalen schijf onderaan de opvangbak kan vuil zijn (Zie Afb. 13)</p>	<p>Verhoog het vlamniveau met behulp van de afstandsbediening. (Zie het hoofdstuk Het product gebruiken)</p> <p>Als het waterniveau in de opvangbak meer is dan 40 mm, moet de opvangbak verwijderd worden en in de spoelbak geleegd worden.</p> <p>Reinig de metalen schijf met meegeleverde zachte borstel. (Zie Afb. 13) Zie 'Onderhoud' voor een stapsgewijze procedure.</p>
Onaangename geur tijdens gebruik apparaat.	Vies of oud water.	<p>Reinig het apparaat, zoals beschreven onder Onderhoud.</p> <p>Alleen kraanwater met een maximale hardheid van 10 dH in dit apparaat gebruiken.</p>
Het vlameffect geeft te veel rook.	Instelling vlameffect is te hoog.	<p>Draai het duimwiel 'D' voor het vlameffect naar het minimum en draai het langzaam omhoog, ongeveer een kwartslag per keer. Geef de vlamgenerator even de tijd om aan te passen alvorens dit te verhogen. (Zie Afb. 2)</p>
De hoofdlampen werken niet en er zijn geen vlammen of rook.	Er zit geen water in het waterreservoir.	<p>Volg de instructies onder <b>Onderhoud</b>, 'Het vullen van het waterreservoir'.</p> <p>Controleer of de stekker correct in het stopcontact zit.</p> <p>Schakelaar 'A' Afb. 2 staat in de 'ON-' ( I ) stand.</p> <p>Druk op schakelaar 'B' Afb. 2 totdat u slechts één pieptoon hoort, voor het vlameffect.</p>
Condens op het glas	<p>De nevelinstelling is te hoog</p> <p>De ruit kan koud zijn tijdens het opstarten van het product</p>	<p>Verlaag de nevelintensiteit door het duimwiel 'D' naar beneden te draaien</p> <p>Verlaag de nevelintensiteit naar laag en draai schakelaar 'C' op hoge snelheid. Voer het product onder deze instelling uit totdat de ruit leeg is en ga terug naar de gewenste instelling.</p> <p>Herhaal deze procedure als de condensatie terugkeert</p>

**IMPORTANT : LIRE ATTENTIVEMENT CES INSTRUCTIONS ET LES CONSERVER SOIGNEUSEMENT POUR RÉFÉRENCE ULTÉRIEURE**

Toujours observer des précautions de base en cas d'utilisation d'appareils électriques, afin de réduire le risque d'incendie, de chocs électriques et de blessures sur des personnes, notamment : Si l'appareil est endommagé, vérifier auprès du fournisseur avant son installation et fonctionnement. Ne pas utiliser à l'extérieur.

Ne pas utiliser à proximité immédiate d'une baignoire, douche ou piscine.

Ne pas situer l'appareil immédiatement en dessous d'une prise fixe ou d'un boîtier de raccordement. Cet appareil peut être utilisé par un enfant à partir de l'âge de huit ans, par une personne ayant un handicap physique, sensoriel ou mental, ou un manque d'expérience ou de connaissances, si elle est supervisée ou a reçu les instructions appropriées pour utiliser l'appareil en toute sécurité et qui en comprend les risques potentiels. Les enfants ne doivent pas jouer avec l'appareil. Son nettoyage et son entretien ne doivent pas être effectués par des enfants laissés sans surveillance.

Les enfants de moins de 3 ans doivent être tenus éloignés, à moins d'être continuellement surveillés. Les enfants âgés de 3 ans et plus et de moins de 8 ans peuvent uniquement allumer / éteindre l'appareil, pourvu qu'il soit placé ou installé dans sa position d'utilisation normale, qu'ils bénéficient d'une surveillance ou d'instructions quant à l'utilisation de l'appareil de façon sécurisée et qu'ils comprennent les risques encourus. Les enfants âgés entre 3 et 8 ans ne doivent pas brancher, régler et nettoyer ou entretenir l'appareil.

Ne pas utiliser cet appareil en série avec une commande thermique, un contrôleur de programme, un minuteur ou tout autre dispositif qui allume le chauffage automatiquement, puisqu'il existe un risque d'incendie lorsque le radiateur est couvert ou déplacé accidentellement.

Cet appareil n'est pas équipé d'un dispositif pour contrôler la température ambiante. Ne pas utiliser cet appareil dans des pièces exigües lorsque des personnes s'y trouvant ne sont pas en mesure de quitter la pièce sans aide, à moins qu'une supervision constante soit offerte.

Veiller à ce que les meubles, rideaux ou autres matériaux combustibles soient placés au plus près à 1 mètre de l'appareil.

En cas de panne, débrancher l'appareil.

Débrancher l'appareil s'il n'est pas utilisé sur de longues périodes.

Bien que l'appareil soit conforme aux normes de sécurité, nous ne recommandons pas de l'utiliser sur des moquettes épaisses ou des tapis à poils longs.

L'appareil doit être placé de manière à pouvoir accéder à la prise.

Si le cordon d'alimentation est endommagé, il doit être remplacé par le fabricant ou l'agent de service, ou par une personne qualifiée afin d'éviter tout danger.

Tenir le cordon d'alimentation éloigné de la façade de l'appareil.

**Avertissement :** Afin d'éviter la surchauffe, ne pas couvrir l'appareil. Ne pas placer d'objets ou de vêtements sur l'appareil, ni gêner la circulation de l'air autour de l'appareil, par exemple avec des rideaux ou des meubles. Cela pourrait provoquer une surchauffe, voire un risque d'incendie.

**Avertissement :** Afin d'éviter tout danger lié à une réinitialisation accidentelle du coupe-circuit thermique, cet appareil ne doit pas être alimenté par un dispositif de commutation externe tel qu'un minuteur par exemple, ou raccordé à un circuit qui est allumé et éteint régulièrement par le service.

**ATTENTION :** certaines pièces de ce produit peuvent chauffer à haute température et causer des brûlures. Il faut prêter une attention particulière lorsque des enfants et personnes vulnérables sont présentes.

## Informations générales

Déballez le radiateur soigneusement et conservez l'emballage pour un éventuel usage futur, en cas de déménagement ou de renvoi du foyer à votre fournisseur. La télécommande et les piles sont emballées séparément dans le carton.

Le foyer est composé d'un effet de flamme qui peut être utilisé avec ou sans chauffage, de sorte que la sensation apaisante peut être appréciée tout au long de l'année. L'utilisation sans chauffage ne requiert qu'une faible consommation d'électricité.

Avant de brancher l'appareil de chauffage, vérifiez que la tension d'alimentation du secteur est identique à celle indiquée sur l'appareil.

Remarque : Utilisé dans un environnement où le bruit de fond est très faible, l'effet flamme s'accompagne d'un son audible dans un environnement silencieux. C'est normal et cela ne doit pas susciter d'inquiétudes.

### Branchement électrique.

#### **AVERTISSEMENT : CET APPAREIL DOIT ÊTRE MIS À LA TERRE.**

Ce radiateur doit être utilisé uniquement sur une alimentation CA et la tension indiquée sur l'appareil de chauffage doit correspondre à la tension d'alimentation.

Lire attentivement les consignes de sécurité et les instructions d'utilisation avant de mettre l'appareil en marche.

#### **VEUILLEZ CONSERVER CE GUIDE DE L'UTILISATEUR POUR UNE FUTURE RÉFÉRENCE**

Ne pas mettre de composants en plastique Opti-myst dans un lave-vaisselle.

Sortir le tiroir que lorsque le réservoir d'eau doit être rempli ou qu'une lampe doit être changée, sinon vous modifierez le niveau d'eau et l'effet de la flamme par inadvertance.

Utiliser uniquement l'eau du robinet avec une dureté maximale de 10 dH

Toujours vous assurez que l'appareil est placé sur une surface plane.

Si vous prévoyez de ne pas utiliser l'appareil pendant plus de deux semaines, vidangez l'eau du bac et du réservoir et séchez le bac.

Une fois installé, l'appareil ne doit ni être déplacé ni posé à l'envers sans vidanger l'eau du bac et du réservoir. Le réservoir d'eau, le bac, le couvercle du bac, le bouchon du réservoir et les filtres à air doivent être nettoyés toutes les deux semaines, en particulier dans les zones d'eau dure.

L'appareil ne doit jamais être utilisé si les lampes ne fonctionnent pas.

Les lampes doivent être régulièrement inspectées comme décrit dans la section « Entretien » et « Changer les lampes ».

### Informations techniques

Numéro du modèle : 3-Étape E

Puissance calorifique		230 V	240V	
Puissance calorifique nominale	$P_{Nom}$	0.9	1.0	kW
Puissance calorifique minimale	$P_{min}$	0.9	1.0	kW
Production maximale de chaleur continue	$P_{max}$	0.9	1.0	kW
Consommation d'électricité auxiliaire				
En mode veille	$P_{Nom}$	0.87	0.93	L

contrôle électronique de la température de la pièce et temporisateur hebdomadaire

## Instructions d'installation

L'étape 3 peut être changé pour s'adapter à 3 styles, le Triple (3 verre latéral), le Duet (2 verre latéral) et le Relax (verre avant seulement). Le produit arrive en étape Relax. Pour passer d'un modèle à l'autre, fixez les ventouses sur la vitre avant et soulevez la vitre vers le haut, puis vers le bas et à l'écart du produit, voir fig. 3a. Retirez le cordon en caoutchouc à l'intérieur de la vitre latérale en bas et en haut. Faites glisser la plaque métallique latérale et la vitre latérale ensemble, voir la figure 3b. Séparez la vitre latérale et faites-la glisser en place. Utilisez le plus grand cordon en caoutchouc pour fixer la vitre latérale en place dans le pack d'instructions. Remplacez la vitre frontale en répétant les étapes ci-dessus en sens inverse. Utilisez les ventouses pour ajuster la vitre latérale de manière à ce que le verre avant et latéral soit correctement ajusté. Assurez-vous qu'il y a un espace de 300 mm entre le haut du feu et le dessous par rapport aux étagères. **Montage mural** : Construire une plate-forme pour que l'unité soit debout. En utilisant les dimensions dans la Fig1 montez au niveau et à la position mural souhaité en utilisant 4 fixations appropriées à votre mur. Avec l'aide de deux personnes, tenir le foyer par les côtés et manœuvrer doucement en position et suspendre le foyer de l'orthèse du mur. Sous l'appareil il y a quatre supports réglables prévus pour le nivellement, où la base de l'ouverture du foyer est élevée au-dessus du niveau de la plate-forme. Lorsque vous construisez un panneau avant, assurez-vous qu'il y a une ouverture à l'avant pour que l'air pénètre dans l'appareil, voir Fig21. Ceci est essentiel pour l'effet de flamme. Assurez-vous également qu'il y a une ventilation au sommet du produit, ceci est essentiel pour que le chauffage fonctionne correctement, voir Fig. 20



### **Avant d'installer cet appareil nous vous recommandons de :**

1. Choisir le style de à 3 étapes dont vous avez besoin et effectuez l'ajustement requis pour l'appareil.
2. Faire nettoyer votre cheminée par un ramoneur compétent ;
3. Bloquer le conduit de cheminée.

Cette procédure est importante pour le fonctionnement efficace de l'unité de chauffage et réduira aussi la perte de chaleur par la cheminée.

### **Installation.**

**Assurez-vous que tous les éléments d'emballage sont retirés (lisez attentivement les étiquettes d'avertissement). Conservez tout l'emballage pour une éventuelle utilisation ultérieure, que ce soit pour un déménagement ou un retour au fournisseur.**

Vous êtes maintenant prêt à installer le foyer électrique. Assurez-vous que l'appareil est **ETEINT**.

En utilisant les fixations correctes pour votre mur, fixez le support mural au mur. Brancher le foyer sur une prise de 13 ampères / 240 volts. Assurez-vous que le câble d'alimentation sort à l'avant du foyer, dans le coin droit ou gauche, en fonction de l'emplacement de votre prise d'alimentation et qu'il n'est pas coincé sous le foyer de sorte qu'il pourrait être endommagé.

**Avant d'utiliser les commandes manuelles, commencez par remplir le réservoir d'eau (voir « Entretien », « Remplissage du réservoir d'eau »).**

## **Fonctionnement de l'appareil**

**AVERTISSEMENT : LE NON-RESPECT DE CES INSTRUCTIONS D'UTILISATION PEUT ENTRAÎNER DES BLESSURES ET / OU DES DOMMAGES.**


### **Commandes manuelles**

Les commandes manuelles d'Opti-myst sont situées sur la base de l'appareil.

(Voir Fig.2 pour la disposition de la commande manuelle)

Interrupteur « A » : - Commande l'alimentation en électricité au foyer.

Remarque : Cet interrupteur doit être en position « ON » (I) pour que le foyer fonctionne avec ou sans chaleur lorsqu'il est activé.

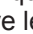
Commutateur « A » : - Appuyez  une fois pour allumer l'effet de flamme. Ceci sera indiqué par un « bip » sonore. Bien que les lumières principales fonctionnent immédiatement, il faudra encore 45 secondes avant que l'effet de flamme ne commence.

Appuyez pour  mettre le foyer en mode veille. Ceci sera indiqué par un « bip ».

### **Télécommande**

La télécommande est emballée avec 2 piles AA dans un sac. Soulevez le couvercle de la batterie à l'arrière de la télécommande et insérez les piles en prenant note de la polarité.

La télécommande a déjà été associée à votre produit lors de l'assemblage en usine. Dans le cas improbable où la télécommande se déconnecte du produit ou si vous obtenez une télécommande de rechange, vous devrez exécuter le processus d'appariement :

1. Avec le produit branché, appuyez sur l'interrupteur A en position ON (I). Vous devriez entendre un bip audible
2. Appuyez sur le bouton 6 et maintenez-le enfoncé jusqu'à ce que PAIR apparaisse sur l'affichage.
3. Rapprochez la télécommande du produit sur lequel se trouve le récepteur . (Voir Fig. 3C)
4. Le produit commencera à émettre un bip et clignotera
5. Appuyez sur le bouton 6 pour terminer le processus d'appariement. Le produit passera en mode veille.

### **Allumer l'appareil**

Appuyez sur le bouton ENTER et maintenez-le enfoncé pendant 3 secondes pour activer la télécommande. FIRE sera affiché et ON clignotera. Appuyez sur ENTER pour allumer l'appareil. Pour éteindre l'appareil, appuyez sur MENU afin que FIRE clignote, appuyez deux fois sur ENTER.

### **Régler de la flamme**

Avec la télécommande activée, appuyez une fois. FIRE clignote sur l'affichage. Appuyez ENTRER. Le réglage actuel de la flamme sera affiché F1-F6. Appuyez sur les boutons UP et DOWN pour régler les paramètres. Après avoir sélectionné votre réglage de flamme, appuyez deux fois sur BACK pour quitter le menu et revenir à l'écran d'accueil.

### **Activer la Chaleur**

Avec la télécommande activée, appuyez une fois sur MENU. FIRE clignote sur l'affichage. Appuyez une fois sur ADV, HEAT clignotera. Appuyez sur ENTER. Le réglage de chaleur actuel affichera OFF LO HI. Appuyez sur les boutons UP et DOWN pour régler les paramètres. Après avoir sélectionné votre réglage de la flamme, appuyez sur ENTER.

### **Réglage du thermostat**

La température affichée sur l'écran correspond au point de consigne de la température ambiante. C'est la température que

l'appareil de chauffage va maintenir pendant les périodes de chauffage. Si la température ambiante est supérieure à cette température, le chauffage ne fonctionnera pas. L'appareil de chauffage quitte l'usine avec une température réglée à 15 °C ce qui représente une température ambiante confortable typique. Si vous avez besoin d'une température ambiante différente, appuyez sur la touche haut ou bas sur l'écran d'accueil jusqu'à ce que l'écran affiche la température souhaitée.

### Disjoncteur thermique

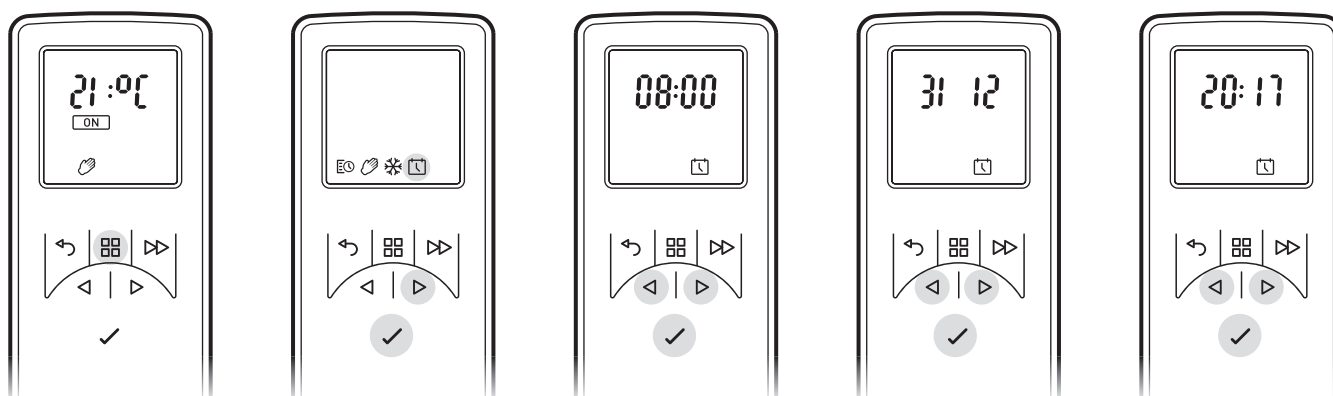
Un disjoncteur thermique est intégré au ventilateur pour prévenir des risques dus à une surchauffe. En effet, des dommages sont susceptibles de se produire si la sortie de l'insert est obstruée de quelque manière que ce soit. Si le disjoncteur se déclenche, débranchez le chauffe-eau de la prise de courant et attendez environ 10 minutes avant de le rebrancher. Avant de rallumer l'appareil de chauffage, retirez tout obstacle pouvant restreindre la sortie de chaleur, puis continuez le fonctionnement normal.

**ATTENTION :** Pour éviter les risques liés à la réinitialisation accidentelle du disjoncteur thermique, cet appareil ne doit pas être alimenté par un dispositif de commande externe, tel qu'une minuterie, ou branché à un interrupteur régulièrement mis hors et sous tension.

### Réglage de la date et de l'heure

Pour régler la date et l'heure de l'appareil de chauffage ;

1. Appuyer sur le bouton Menu.
2. Appuyez quatre fois sur le bouton ^
3. Appuyez sur Entrée lorsque l'icône Date et Heure clignote.
4. Appuyez sur Entrée pour régler l'heure.
5. Appuyer sur v et ^ pour régler l'Heure, appuyez sur Entrée.
6. Appuyer sur v et ^ pour régler les Minutes, appuyez sur Entrée pour confirmer l'heure.
7. Appuyer sur v et ^ pour régler le Jour, appuyez sur Entrée.
8. Appuyer sur v et ^ pour régler le Mois, appuyez sur Entrée.
9. Appuyer sur v et ^ pour Année, appuyez sur Entrée pour confirmer la date.



### Modes de fonctionnement à distance

Minuteur de l'utilisateur : Offre la plus grande flexibilité à l'utilisateur. Quatre créneaux sont disponibles toute la journée et peuvent être personnalisés pour chaque jour de la semaine. Voir « Comment ajuster les modes de minuterie » pour des instructions sur le réglage de ces créneaux à partir des périodes et températures définies en défaut d'usine.

Mode manuel : Ce mode chauffe la pièce à la température à laquelle vous avez réglé la télécommande.

Protection contre la gelée : Ce mode maintient de température ambiante à 7 °C. Ce mode devrait être utilisé pour fournir une protection contre la gelée comme indiqué par l'icône de gel.

### Choisir et définir un mode

Minuterie de l'utilisateur - Pour reprogrammer les modes de minuterie d'usine par défaut :

1. Appuyez sur le bouton Menu
2. Appuyez une fois sur ^ pour programmer et l'icône clignote. Appuyez sur Entrée
3. Appuyez deux fois sur ^ puis sur Enter

\*Les jours des semaines sont maintenant affichés en haut de l'écran\*

- Jour 1 = Lundi
- Jour 2 = Mardi
- Jour 3 = Mercredi
- Jour 4 = Jeudi
- Jour 5 = Vendredi
- Jour 6 = Samedi
- Jour 7 = Dimanche

4. Appuyez sur Entrée pour Modifier Jour 1 ou Appuyez sur ^ pour naviguer jusqu'au jour souhaité et appuyez sur Entrée pour sélectionner.
5. P1 sera affiché à l'écran
6. Appuyez sur Entrée pour sélectionner P1, pour naviguer vers P2, P3 ou P4 appuyez sur ^ et appuyez sur Entrée pour sélectionner
7. ON sera mis en surbrillance, appuyez sur Entrée pour régler l'heure d'activation.
8. Appuyez sur v et ^ pour régler l'heure, appuyez sur Entrée pour confirmer
9. Appuyez sur v et ^ pour régler les minutes, appuyez sur Entrée pour confirmer
10. Appuyez sur v et ^ pour régler la température, appuyez sur Entrée pour confirmer
11. Appuyez sur v et ^ pour régler l'heure d'arrêt, appuyez sur Entrée pour confirmer
12. Appuyez sur v et ^ pour régler la minute d'arrêt, appuyez sur Entrée pour confirmer

Appuyez sur Entrée pour modifier le Programme P2, suivez les étapes 5 à 12, appuyez sur ^ passer à P3  
 Appuyez sur Entrée pour modifier le Programme P3, suivez les étapes 5 à 12, appuyez sur ^ passer à P4  
 Appuyez sur Entrée pour modifier le Programme P4, suivez les étapes 5 à 12.

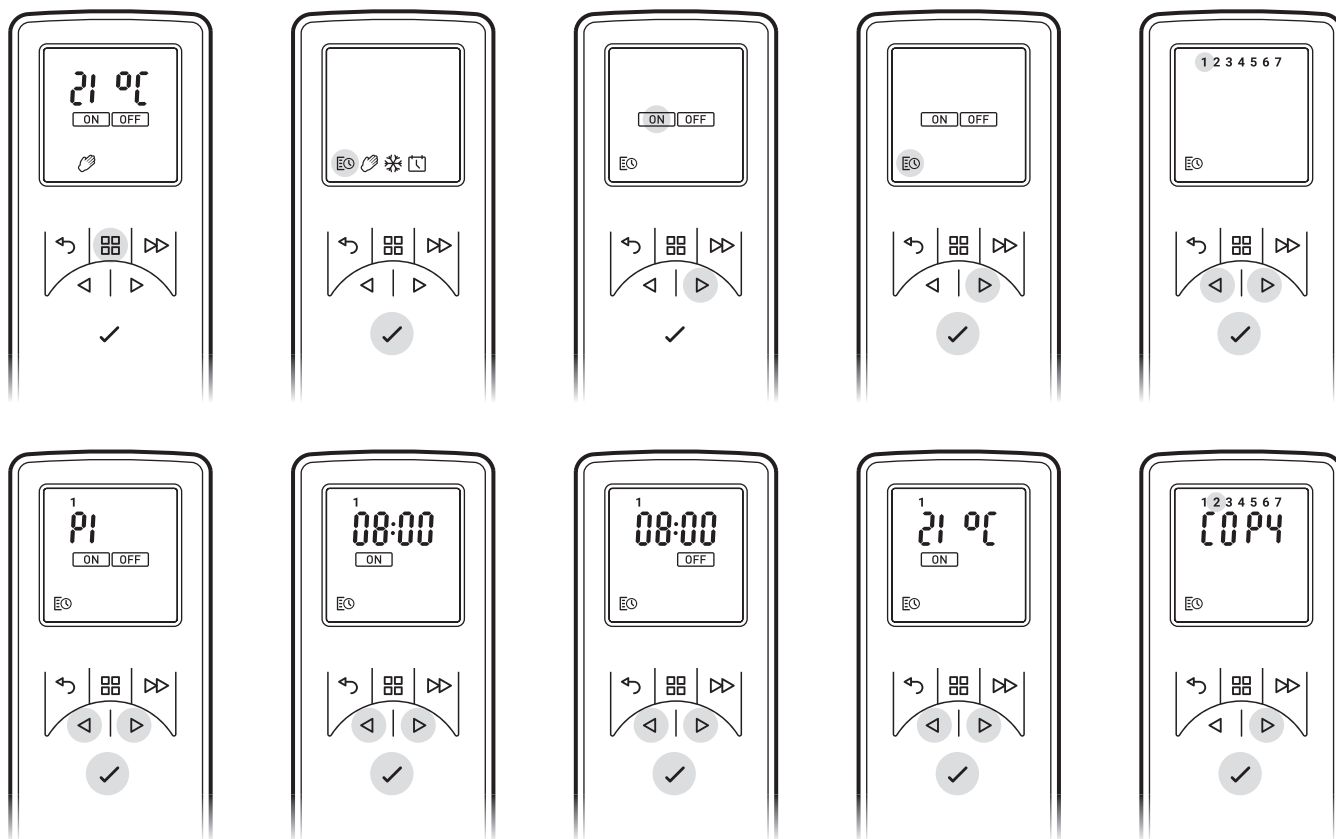
Pour copier les programmes de chauffage P1-P4 nouvellement programmés sur d'autres jours, appuyez sur le bouton Entrée.

Copier sera affiché à l'écran

Pour copier au jour suivant dans l'ordre, appuyez sur le bouton ^. Pour désélectionner le prochain jour, appuyez sur le bouton Entrée.

Les jours de la semaine sélectionnés seront affichés en haut de l'écran. Les jours qui ont été désélectionnés ne seront pas visibles (voir les Diagrammes).

Appuyez sur Entrée pour confirmer, le rétroéclairage clignotera et retournera à l'écran d'accueil.

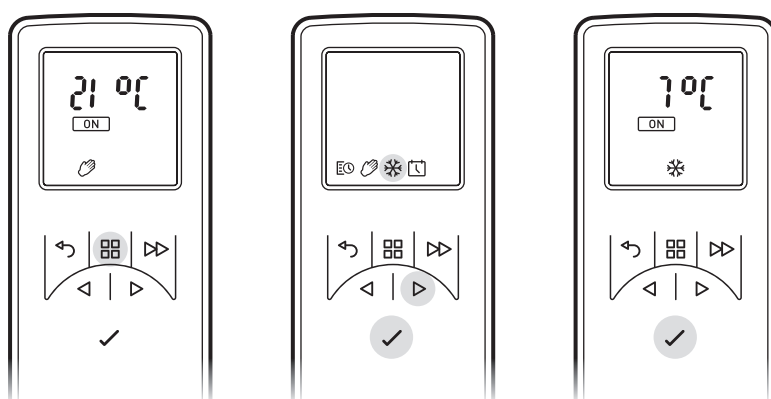


Mode manuel - Pour choisir un mode de chauffage constant. Ce mode ignore le minuteur utilisateur et maintient la température affichée.

- Appuyez sur le bouton Menu
- Appuyez deux fois sur ^ pour mettre en évidence l'icône de la Main
- Appuyez sur Entrée pour confirmer
- Utiliser v et ^ pour ajuster à la température désirée

Protection contre la gelée - Le mode antigel maintient une température ambiante de 7 °C tout au long d'une période de 24 heures. Ce mode devrait être utilisé pour fournir une protection contre la gelée comme indiqué par l'icône de gel.

- Appuyez sur le bouton Menu
- Appuyez trois fois sur ^ pour mettre en évidence l'icône de flocon de neige
- Appuyez sur Entrée pour confirmer
- Appuyez sur v ou ^ pour quitter ce mode et passer en mode manuel.



### Obtenir l'effet de flamme souhaité

1. À l'aide de la télécommande, appuyez sur MENU, FIRE sur l'affichage clignotera, appuyez sur ENTREE. Le réglage actuel sera affiché. Appuyez sur ^ ou v pour basculer entre F1 et F6. F1 étant le réglage le plus bas et F6 étant le réglage le plus élevé.
2. Généralement, les flammes apparaissent plus réalistes lorsque la commande de flamme est basse.
3. Donnez au générateur de flammes le temps de réagir aux changements que vous pourriez faire.
4. Le foyer utilisera moins d'eau si l'effet de flamme est réglé à un niveau inférieur.
5. Ne pas incliner ou déplacer le foyer tant qu'il y a de l'eau dans le réservoir ou le bac.
6. Veiller à ce que le foyer soit placé sur une surface plane.

### Personnaliser l'affichage

La configuration maximale de température du produit est de 32 °C Vous avez la possibilité de réduire cette configuration Vous pouvez également changer °C à °F

1. Appuyer sur le bouton Menu.
2. Appuyez deux fois sur le bouton ADV, SP clignote.
3. Appuyez sur Entrée pour confirmer.
4. Appuyez sur v ou ^ pour choisir entre °C et °F.
5. Appuyez sur Entrée pour confirmer.
6. Appuyez v ou ^ pour choisir votre configuration de température maximale.
7. Appuyez sur Entrée pour confirmer.
8. Appuyez trois fois sur BACK pour revenir à l'écran d'accueil.

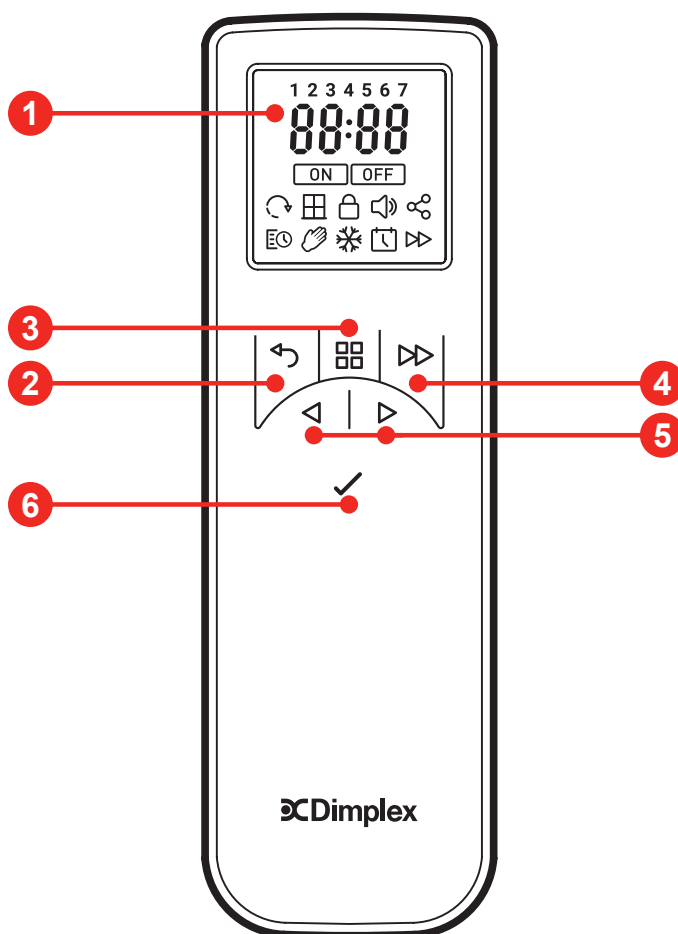
### Démarrage adaptatif

L'électronique intégrée dans cet appareil a une fonction d'apprentissage du temps nécessaire pour chauffer une pièce. Ayant appris à quelle vitesse il peut chauffer votre pièce, l'appareil est en mesure de s'allumer au bon moment afin d'obtenir une température confortable lorsque vous le souhaitez. Par exemple, si vous vous levez à 7h du matin, vous devrez normalement deviner quand allumer le chauffage pour préchauffer la pièce à temps. En fonction de la température à l'extérieur, cela peut signifier que la pièce est encore froide lorsque vous sortirez du lit, ou qu'elle a été chauffée pendant une demi-heure avant que cela ne soit nécessaire. Démarrage adapté signifie que si vous sélectionnez 21 °C à 7 h, l'appareil de chauffage s'allume exactement quand il le faut pour atteindre cette cible, en fonctionnant pendant des périodes plus courtes lorsque le temps est doux, et en veillant à ce que la pièce soit chaude et agréable en hiver.

La fonction de démarrage adaptatif s'active automatiquement lorsque vous utilisez le mode minuterie.

### Télécommande

- 1 Écran d'affichage
- 2 Bouton de « Retour »
- 3 Bouton de « Menu »
- 4 Bouton « Avancer »
- 5 Flèches « Haut et Bas »
- 6 Bouton « Entrée »



### **AVERTISSEMENT : TOUJOURS DÉBRANCHER DU SECTEUR AVANT DE RÉALISER TOUTE OPÉRATION DE MAINTENANCE.**

#### **Montage des lampes de rechange.**

Si une grande quantité de fumée apparaît grise ou incolore, il se peut qu'une ou plusieurs lampes soit défectueuses. Pour vérifier si une lampe est défectueuse, procéder comme suit.

1. Avec l'effet de flamme allumé, tirez doucement le tiroir complètement par la languette. (Voir Fig. 3)
2. Observez les lampes à distance devant le foyer pour déterminer celle qui doit être changée.
3. Mettez l'interrupteur « A » en position « OFF » et débranchez le foyer du secteur.
4. Laissez l'appareil pendant 20 minutes pour permettre aux lampes de refroidir avant de les retirer.
5. Retirez le réservoir d'eau en le soulevant et placez-le dans un évier.
6. Retirez le carter comme décrit dans la section intitulée Nettoyage.
7. Enlevez la lampe défectueuse en la soulevant délicatement à la verticale et en dégageant les broches du porte-lampe, (Voir Fig.4 et 5). Remplacez avec une lampe colorée 12V, 45w, Gu5.3 base Gu5.3, angle de faisceau 8°. Acheter des lampes chez votre fournisseur.
8. Insérez délicatement les deux broches de la nouvelle lampe dans les deux trous du support de lampe. Poussez la lampe fermement en place. (Voir les Figures 4 et 5).
9. Remplacez le puisard et le réservoir d'eau et fermez soigneusement le tiroir.
10. Allumez l'appareil.

#### **Remplir le réservoir.**

Lorsque le réservoir d'eau est vide, l'effet de flamme et de fumée s'éteint, vous entendrez 2 bips sonores. Suivez ces étapes pour remplir :

1. Appuyez sur le bouton « A » pour **(0)** (Voir Fig. 2)
2. Tirez le tiroir doucement le plus loin possible par la languette. (Voir Fig. 3)
3. Retirez le réservoir d'eau en le soulevant et en le tirant vers l'extérieur.
4. Placez le réservoir d'eau dans l'évier et retirez le bouchon, dans le sens inverse des aiguilles d'une montre pour l'ouvrir. (Voir Fig. 6)
5. Remplir le réservoir avec **l'eau du robinet avec une dureté maximale de 10 dH uniquement**. Cela est nécessaire pour prolonger la durée de vie de l'appareil générateur de flamme et de fumée. Dans les situations où la dureté de l'eau est plus élevée, l'eau doit être filtrée (par exemple avec un filtre Maxtra). **N'utilisez pas de décalcificateur.**
6. Revisser le bouchon, **ne pas trop serrer**.
7. Remettre le réservoir dans le puisard, avec le bouchon du réservoir vers le bas et le côté plat du réservoir vers l'extérieur.
8. Poussez doucement le tiroir vers l'arrière aussi loin que possible.
9. Placer l'interrupteur 'A' sur 'ON' (**I**) (Voir Fig. 2)
10. Appuyez sur l'interrupteur 'B' une fois pour activer l'effet de flamme. (Voir la section de commande manuelle et la Fig.2).

#### **Nettoyage.**

### **ATTENTION - TOUJOURS DÉBRANCHER L'APPAREIL DE CHAUFFAGE DU SECTEUR AVANT DE LE NETTOYER.**

Nous recommandons de nettoyer les composants suivants une fois toutes les 2 semaines, en particulier dans les zones d'eau dure :-

Réservoir d'eau, puisard et joint, couvercle du puisard, bouchon du réservoir et joint, filtre à air.

Pour un nettoyage général, utiliser un chiffon de dépoussiérage propre. Ne jamais utiliser de produits nettoyants abrasifs. Utiliser la brosse douce d'un aspirateur de temps à autre pour nettoyer la grille du ventilateur et éliminer la poussière et les peluches qui se sont accumulées.

#### **Réservoir d'eau**

1. Retirez le réservoir d'eau, comme décrit précédemment, mettez-le dans l'évier et videz l'eau.
2. À l'aide de la brosse fournie, frottez doucement les surfaces intérieures du capuchon en portant une attention particulière à la bague en caoutchouc dans la rainure extérieure et au joint central en caoutchouc.
3. Mettez une petite quantité de liquide de vaisselle dans le réservoir, remettez le bouchon et secouez bien, rincez jusqu'à ce que toute trace de liquide vaisselle soit partie.
4. Remplir avec de l'eau du robinet filtrée uniquement, replacer le bouchon, ne pas trop serrer.

#### **Carter**

1. Placer l'interrupteur A à la position **(0)** OFF
2. Tirez délicatement le tiroir aussi loin que possible. (Voir Fig. 3)
3. Retirez le réservoir d'eau en le soulevant.
4. Débranchez le connecteur électrique, situé sur le côté gauche du puisard, en desserrant d'abord les deux vis de retenue et en retirant doucement le connecteur. (Voir Fig. 8)

5. Relâcher les languettes de verrouillage du carter inférieur en les tournant de 90°, ce qui permet de sortir complètement le carter de son emplacement. (Voir Fig. 9)
6. Soulevez doucement le puisard, en prenant soin de garder le niveau afin de ne pas renverser de l'eau. Placez l'assemblage dans l'évier. (Voir Fig. 10)
7. Relâcher les deux languettes de verrouillage du carter supérieur en les tournant de 90°, puis enlever son couvercle. (Voir Fig. 11)
8. Incliner soigneusement pour que le liquide s'écoule du puisard. (Voir Fig. 12)
9. Mettre une petite quantité de liquide de vaisselle dans le bac et, à l'aide de la brosse fournie, nettoyer délicatement toutes les surfaces, y compris les disques métalliques et le joint en caoutchouc situé dans la surface rainurée supérieure. **Ne pas enlever les joints en caoutchouc.** (Voir les Figures 13 et 14).
10. Une fois nettoyé, rincez soigneusement le bac avec de l'eau propre.
11. Nettoyez la surface de sortie du couvercle du bac avec la brosse et rincez abondamment à l'eau. (Voir les Figures 15 et 16)
12. Inversez les étapes ci-dessus pour réassembler.

#### **Filtre à air.**

1. Placer l'interrupteur A à la position **(0)** (Voir Fig. 2)
2. Tirez délicatement le tiroir aussi loin que possible. (Voir Fig. 3)
3. Retirez le réservoir et placez-le dans un évier avec le bouchon vers le haut.
4. Faites glisser doucement le porte-filtre à air en plastique vers le haut. (Voir Fig. 17)
5. Retirer la combinaison de filtre du support en plastique.
6. Rincer doucement avec de l'eau dans l'évier et sécher avec une serviette en tissu avant de retourner.
7. Remplacer le filtre en vous assurant que le filtre noir est bien en contact avec le support en plastique. (Voir Fig. 18)
8. Remplacer le réservoir.
9. Fermer complètement le tiroir.
10. Placer l'interrupteur A à la position **( I )** (Voir Fig. 2)

### Informations supplémentaires

#### **Recyclage.**



Appareils électriques vendus dans les pays de l'Union européenne. Les appareils électriques en fin de vie ne doivent pas être jetés avec les ordures ménagères. Veuillez recycler dans les centres existants. Contacter les services publics ou le fournisseur de l'appareil pour obtenir des conseils de recyclage pertinents dans votre pays.

#### **Service après-vente.**

Votre produit est garanti un an à compter de la date d'achat. Au cours de cette période, nous nous engageons à réparer ou échanger ce produit sans frais (hors lampes et sous réserve de disponibilité), à condition d'avoir été installé l'appareil et qu'il soit utilisé conformément aux présentes instructions. Si vous avez besoin du service après-vente ou si vous souhaitez acheter des pièces de rechange, veuillez contacter le fournisseur de l'appareil ou appeler le numéro du service dans votre pays indiqué sur la carte de la garantie. Veuillez ne pas nous renvoyer un produit défectueux en premier lieu, car cela pourrait entraîner des pertes ou des dégâts et des délais pour vous fournir un service satisfaisant. Veuillez conserver votre reçu comme preuve d'achat.

## Dépannage

Symptôme	Cause	Action corrective
L'effet de flamme ne démarre pas.	<p>La prise secteur n'est pas branchée.</p> <p>L'interrupteur A est sur 'ON' ( I ) mais le commutateur en mode B n'a pas été enfoncé. (Voir Fig. 2)</p> <p>Niveau d'eau bas.</p> <p>Le connecteur basse tension n'est pas connecté correctement. (Voir Fig. 8)</p>	<p>Vérifiez que la fiche est correctement branchée à la prise murale.</p> <p>Appuyez une fois sur l'interrupteur B pour l'effet de flamme. (Voir Fig. 2)</p> <p>Vérifiez que le réservoir d'eau est plein et qu'il y a de l'eau dans le bac.</p> <p>Vérifiez que le connecteur est correctement inséré. (Voir Fig. 8)</p>
L'effet de flamme est trop faible.	<p>L'effet de flamme est réglé trop bas.</p> <p>L'eau dans le puisard peut être trop haut en raison de l'ouverture et de la fermeture du tiroir à plusieurs reprises, du retrait du réservoir d'eau plusieurs fois ou du déplacement du foyer.</p> <p>Le disque métallique à la base du puisard pourrait être sale (voir Fig. 13)</p>	<p>Augmentez le niveau de flamme en utilisant la télécommande. (Voir la section intitulée Utilisation du produit)</p> <p>Si le niveau d'eau dans le puisard est supérieur à 40 mm, le puisard doit être retiré et vidé dans l'évier.</p> <p>Nettoyez le disque métallique à l'aide de la brosse souple fournie. (Voir Fig.13) Voir « Entretien » pour une procédure étape par étape.</p>
Une odeur désagréable se dégage lorsque l'appareil est utilisé.	Eau sale ou viciée.	<p>Nettoyez l'unité comme décrit dans la section entretien.</p> <p>Utiliser uniquement l'eau du robinet avec une dureté maximale de 10 dH</p>
L'effet de flamme donne trop de fumée.	Le réglage de l'effet de flamme est trop élevé.	<p>Tournez le bouton de contrôle « D » de l'effet de flamme au minimum et remonter légèrement, environ ¼ de tour, une fois. Donnez au générateur de flamme un peu de temps pour s'ajuster avant d'augmenter. (Voir Fig. 2)</p>
Les lampes principales ne fonctionnent pas et il n'y a pas de flamme ou de fumée.	Il n'y a pas d'eau dans le réservoir	<p>Suivez les instructions dans la section <b>Entretien</b> 'Remplir le réservoir.</p> <p>Vérifiez que la fiche est correctement branchée à la prise murale.</p> <p>L'interrupteur A Fig. 2 est sur 'ON' ( I ). Appuyez sur l'interrupteur B Fig.2 jusqu'à entendre un bip, pour l'effet de flamme.</p>
Condensation sur le verre	<p>Le réglage de la brume est trop élevé</p> <p>Le verre peut être froid lors du démarrage du produit</p>	<p>Réduisez l'intensité de la brume en tournant la molette « D » vers le bas</p> <p>Réduisez l'intensité de la brume et tourner l'interrupteur « C » à haute vitesse. Faites fonctionner le produit sous ce réglage jusqu'à ce que le verre s'éclaircisse puis revenez à votre réglage préféré. Répétez cette procédure si la condensation revient</p>



**WICHTIG: DIESE ANLEITUNG SOLLTE SORGFÄLTIG DURCHGELESEN UND FÜR ZUKÜNFTIGE NACHSCHLAGEZWECKE AUFBEWAHRT WERDEN**

Beim Gebrauch von elektrischen Geräten sollten die grundlegenden Sicherheitsmaßnahmen immer befolgt werden, um Brandrisiken, sowie die Gefahren von Stromschlägen und Verletzungen zu minimieren. Das schließt Folgendes ein:

Wenn das Gerät beschädigt ist, wenden Sie sich vor einer Installation und Inbetriebnahme sofort an den Lieferanten.

Das Gerät darf nicht im Freien verwendet werden.

Nicht in unmittelbarer Nähe von Bädern, Duschen oder Schwimmbädern verwenden.

Gerät nicht unmittelbar unter eine Steck- oder Verteilerdose stellen.

Dieses Gerät kann von Kindern über 8 Jahren, von Personen, deren körperliche oder geistige Unversehrtheit oder deren Wahrnehmungsfähigkeit eingeschränkt ist, sowie von Personen mit mangelnden Kenntnissen oder Erfahrung benutzt werden. Dies gilt nur unter der Voraussetzung, dass sie beaufsichtigt werden oder dass sie eine Einweisung in die sichere Nutzung des Geräts und die damit verbundenen Gefahren erhalten haben. Kinder dürfen mit dem Gerät nicht spielen. Reinigung und Wartung dürfen von Kindern ohne Beaufsichtigung nicht durchgeführt werden.

Kinder unter 3 Jahren sollten sich ohne Beaufsichtigung nicht in der Nähe des Geräts aufhalten.

Kinder von 3 bis 8 Jahren sollten das Gerät nur ein- oder ausschalten dürfen, wenn es in der dafür vorgesehenen Betriebsposition platziert oder montiert wurde. Dies gilt nur unter der Voraussetzung, dass sie beaufsichtigt werden oder dass sie eine Einweisung in die sichere Nutzung des Geräts und die damit verbundenen Gefahren erhalten haben. Kinder von 3 bis 8 Jahren dürfen das Gerät nicht an eine Steckdose anschließen, benutzen bzw. reinigen oder das Gerät warten.

Dieses Gerät nicht zusammen mit einer Thermosteuerung, Programmsteuerung, Zeitschaltuhr oder anderen Geräten verwenden, durch die die Heizfunktion automatisch eingeschaltet wird, da Brandgefahr besteht, wenn das Gerät versehentlich bedeckt oder verschoben wird.

Dieses Gerät ist nicht mit einer Vorrichtung zur Regelung der Raumtemperatur ausgestattet. Dieses Gerät darf nicht in kleinen Räumen verwendet werden, in denen sich Personen befinden, die die Räume nicht selbstständig verlassen können; es sei denn, es steht eine Aufsichtsperson permanent bereit.

Möbelstücke, Vorhänge/Gardinen und andere entzündbare Materialien müssen sich mindestens in 1 Meter Abstand vom Gerät befinden.

Bei Betriebsversagen vom Netz trennen.

Bei längerem Betriebsstillstand vom Netz trennen.

Dieses Gerät steht im Einklang mit Sicherheitsstandards. Dennoch raten wir von einer Verwendung auf Teppichen oder auf Langhaarläufnern ab.

Das Gerät muss so aufgestellt werden, dass der Netzstecker zugänglich ist.

Wenn das Netzkabel beschädigt ist, muss es vom Hersteller, einer Kundendienstvertretung oder einer vergleichbar qualifizierten Person ausgetauscht werden, um Gefahren zu vermeiden.

Netzkabel nicht vor dem Gerät verlaufen lassen.

Warnung: Um Überhitzungen zu vermeiden, darf das Gerät nicht zugedeckt werden. Keine Stoffe oder Kleidungsstücke auf das Gerät legen. Die Luftzirkulation um das Gerät nicht blockieren, z. B. durch Vorhänge/Gardinen oder Möbelstücke, da ansonsten Überhitzung und Brandgefahr die Folge sein können.

Warnung: Um Gefahr durch das versehentliche Zurücksetzen der thermalen Sicherheitsabschaltung zu vermeiden, darf diese Vorrichtung nicht durch ein externes Schaltgerät (z. B. einen Zeitschalter) mit Strom versorgt oder an einen Schaltkreis angeschlossen werden, der vom Versorgungsbetrieb regelmäßig ein- und ausgeschaltet wird.

**ACHTUNG** – Einige Bauteile dieses Produkts können sehr heiß werden und Verbrennungen verursachen. Eine besondere Beaufsichtigung gilt bei Kindern und schutzbedürftigen Personen.

## General Information

Packen Sie das Heizgerät vorsichtig aus und bewahren Sie die Verpackung für spätere Zwecke auf, z. B. für einen Umzug oder für die Rücksendung an den Lieferanten. Die Fernbedienung, die Batterien und Lampen sind separat im Karton verpackt.

Dieser Ofen verfügt über einen Flammeneffekt, der mit oder ohne Heizfunktion verwendet werden kann, damit in jeder Jahreszeit eine wohltuende Wirkung erzielt werden kann. Der Flammeneffekt verbraucht bei ausgeschalteter Heizfunktion nur wenig elektrische Energie.

Vor dem Anschluss des elektrischen Kamins immer prüfen, ob die Versorgungsspannung mit den Angaben auf dem Heizgerät übereinstimmt.

Hinweis: Bei Verwendung in Umgebungen mit wenigen Hintergrundgeräuschen sind unter Umständen Betriebsgeräusche aufgrund des Flammeneffekts zu hören. Dies ist üblich und kein Grund zur Besorgnis.

### Elektrischer Anschluss.

#### **ACHTUNG – DIESES GERÄT MUSS GEERDET WERDEN.**

Das Heizgerät darf nur an eine Wechselstromversorgung angeschlossen werden. Die darauf angegebene Spannung muss mit der Versorgungsspannung übereinstimmen.

Vor dem Einschalten die Sicherheitshinweise und die Bedienungsanleitung durchlesen.

#### **DIE VORLIEGENDE ANLEITUNG BITTE ZU NACHSCHLAGEZWECKEN AUFBEWAHREN**

**Kunststoffteile des Opti-myst Elektrokamins nicht in eine Spülmaschine einräumen.**

**Nur Schublade ziehen, wenn Wasserbehälter gefüllt oder eine Lampe ausgetauscht werden muss. Andernfalls ändern Sie den Wasserstand und den Flammeneffekt.**

**Nur Leitungswasser (Maximalhärte: 10 dH) verwenden.**

**Gerät immer auf ebenen Boden stellen.**

**Falls das Gerät länger als 2 Wochen nicht benutzt wird, muss das Wasser aus dem Sumpf und Wasserbehälter abgelassen und der Sumpf getrocknet werden.**

**Nach der Installation darf dieses Gerät nicht transportiert oder auf die Rückseite gelegt werden, ohne zuvor das Wasser aus dem Sumpf und Wassertank abzulassen.**

**Einmal alle zwei Wochen müssen Wassertank, Sumpf, Sumpfdeckel, Tankdeckel und die Luftfilter gereinigt werden, insbesondere in Gebieten mit hartem Wasser.**

**Das Gerät darf auf keinen Fall in Betrieb gesetzt werden, wenn die Lampen nicht funktionieren.**

**Lampen regelmäßig prüfen gemäß „Wartung“ und „Lampenaustausch“.**

### Technische Angaben

Modell-Nr: 3 Step E

Wärmeabgabe		230V	240V	
Nennwärmeabgabe	$P_{\text{Nom}}$	0.9	1.0	kW
Mindestwärmeabgabe	$P_{\text{min}}$	0.9	1.0	kW
Maximale kontinuierliche Heizungs-nennleistung	$P_{\text{max}}$	0.9	1.0	kW
Zusätzlicher Stromverbrauch				
Im Standby-Modus	$P_{\text{Nom}}$	0.87	0,48	W

elektronische Raumtemperatursteuerung mit Wochenzeitschaltuhr

## Montageanleitung

Drei Modi können eingestellt werden: Tripple (3-Seiten-Glas), Duet (2-Seiten-Glas) und Relax (nur Vorderglasscheibe). Voreinstellung des Produkts ist „Relax“. Um zwischen den Modellen zu wechseln, befestigen Sie die Saugnäpfe an der vorderen Glasscheibe, heben Sie die Glasscheibe zuerst an und anschließend nach unten von dem Gerät weg (siehe Abb. 3a). Entfernen Sie das Gummiband unten und oben an der Innenseite der seitlichen Glasscheibe. Schieben Sie die seitliche Glasscheibe zusammen mit der Metallplatte heraus (siehe Abb. 3b). Trennen Sie das Seitenglas vom Metall und schieben Sie es wieder zurück in den Rahmen. Verwenden Sie das lange Gummiband aus dem Installationszubehör, um das Seitenglas zu befestigen. Setzen Sie die vordere Glasscheibe wieder ein, indem Sie die oben genannten Schritte in umgekehrter Reihenfolge ausführen. Mithilfe der Saugnäpfe können Sie das Seitenglas so einsetzen, dass Vorder- und Seitengläser genau hineinpassen. Zwischen der oberen Ebene des Feuers und der Unterseite eines Regals muss eine Lücke von 300 mm eingehalten werden. **Wandmontage:** Errichten Sie eine Plattform für das Gerät. Maße in Abb. 1 berücksichtigen.

Wandhalterung in gewünschter Position mit vier entsprechenden Halterungen anbringen. Mit zwei Personen ist das Feuer jeweils an den Seiten zu halten und vorsichtig wie gewünscht anzubringen. Von der Wandhalterung hängen lassen. Vier Halterungen befinden sich unter dem Gerät, so dass es in eine waagerechte Position gebracht werden kann. Beim Bau einer Frontblende muss ein Lufteinlass zum Gerät hin gewährleistet sein (Abb. 21). Dies ist für den Flammeneffekt grundlegend. Gewährleisten Sie ebenfalls die Entlüftung auf der Oberseite des Produkts. Nur so kann die Heizung ordnungsgemäß funktionieren (s. Abb. 20).

### **Vor der Gerätemontage:**

1. 3-Step wählen und Gerät entsprechend anpassen.
2. Lassen Sie Ihren Kaminabzug von einem qualifizierten Kaminkehrer reinigen.
3. Blockieren Sie den Rauchabzug.

Dies ist nicht nur für einen effizienten Betrieb des Heizgeräts wichtig, sondern dadurch werden auch Wärmeverluste über den Kaminabzug verhindert.

### **Installation**

**Das Verpackungsmaterial von sämtlichen Teilen entfernen (eventuelle Aufkleber mit Warnhinweisen beachten). Das Verpackungsmaterial für spätere Zwecke aufbewahren, z. B. für einen Umzug oder für die Rücksendung an den Händler.**

Nun kann das elektrische Feuer installiert werden. Vergewissern Sie sich, dass das Gerät auf **OFF (Aus)** geschaltet ist. Zur Wandmontage die passenden Halterungen anwenden. Den Kamineinsatz an eine Steckdose anschließen, die mit 13 A/240 V versorgt wird. Das Netzkabel muss an der Vorderseite des Kamins rechts oder links in der Ecke auf möglichst kurzem Wege zur Steckdose austreten und darf nicht unter dem Kamineinsatz eingeklemmt werden, da es hierdurch beschädigt werden kann.

**Vor dem Betätigen der manuellen Bedienelemente muss zuerst der Wassertank befüllt werden (siehe „Wartung“ und „Wassertank auffüllen“).**

## **Betrieb des Feuers**

**ACHTUNG: BEI MISSACHTUNG DIESER BEDIENUNGSANLEITUNG BESTEHT DAS RISIKO VON PERSONEN- UND/ODER SACHSCHÄDEN.**



### **Manuelle Bedienelemente**

Die manuelle Opti-myst Bedienelemente befinden sich am Boden des Gerätes.

(Anordnung der manuellen Bedienelemente, siehe Abb. 2)

Schalter „A“: Regelt die Energieversorgung zum Kamineinsatz.

Hinweis: Der Schalter muss sich in der 'EIN' (I) Position befinden so das das Feuer mit oder ohne Hitzaustoss betrieben wird wenn eingeschaltet.

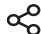
Schalter „B“:  einmal drücken, um den Flammeneffekt einzuschalten. Dies wird durch einen Signalton bestätigt. Zwar reagieren die Hauptleuchten sofort, allerdings dauert die Aktivierung des Flammeneffekts weitere 45 Sekunden. Erneut drücken,  um den Feuer ins Standby-Modus umzuschalten. Dies wird durch einmaliges Signalton bestätigt.

### **Fernbedienung**

Die Fernbedienung ist zusammen mit Zwei AA-Batterien in einer Tüte verpackt. Den Batterien-Deckel auf der Rückseite der Fernbedienung trennen und die Batterien einlegen, auf die Polarität dabei zu achten.

Ausschalten des Gerätes

Die Fernbedienung ist bereits ab Werk mit Ihrem Produkt gekoppelt. Im unwahrscheinlichen Fall, dass sich die Fernbedienung vom Produkt trennt oder Sie eine Ersatzfernbedienung erhalten, werden Sie den folgenden Kopplungsvorgang abschließen müssen:

1. Bringen Sie bei angeschlossenem Produkt Schalter „A“ auf die Position „ON“ (I). Sie sollten einen deutlichen Piepton hören.
2. Drücken und halten Sie die 'Taste 6', bis PAIR auf dem Display erscheint.
3. Bewegen Sie die Fernbedienung in die Nähe des Geräts, in dem sich der Empfänger befindet . Siehe Abb. 3C
4. Am Gerät wird ein Piepton hörbar und ein Blinken sichtbar.
5. Drücken Sie die 'Taste 6', um den Kopplungsvorgang abzuschließen. Das Gerät wird daraufhin in den Standby-Modus wechseln.

Die EINGABE Taste 3 Sekunden lang gedrückt halten um die Fernbedienung einzuschalten. FEUER wird angezeigt und EIN-Leuchte wird blinken. Drücken Sie EINGABE um das Gerät einzuschalten. Um das Gerät auszuschalten drücken Sie AUSWAHL so das die FEUER-Leuchte fängt an zu blinken, und drücken Sie zweimal EINGABE.

### **Passen Sie die Flammeneinstellungen an.**

Drücken Sie einmal mittels eingeschalteten Fernbedienung. Auf dem Display wird die FEUER-Luchte blinken. Erneut EINGABE. Unter F1-F6 werden die aktuellen Flammeneinstellungen angezeigt. Drücken Sie die AUF- und AB-Tasten um die Einstellungen anzupassen. Nach dem Sie Ihre Flammeneinstellungen ausgewählt haben, drücken Sie zweimal ZURÜCK um die AUSWAHL zu verlassen und zur Startseite zurückzukehren.

### **Einschalten der Heizung**

Einmal die AUSWAHL mit der eingeschalteten Fernbedienung drücken. Auf der Anzeige wird die FEUER blinken. Einmal ADV drücken, HEIZUNG wird blinken. EINGABE drücken. Die aktuelle Heizungseinstellung wird als AUS LO HI angezeigt. Um die Einstellungen anzupassen, drücken Sie die AUF- und AB-Tasten. Nach dem Sie Ihre Flammeneinstellungen angepasst haben, drücken Sie bitte EINGABE.

## Thermostat einstellen

Die Temperaturanzeige auf den Bildschirm zeigt den Raumtemperatursollwert an. Dies ist die Temperatur die von den Heizungsgerät gehalten wird. Wenn die Raumtemperatur höher ist als diese, so wird das Heizungsgerät nicht einschalten. Ab Werk ist das Heizungsgerät auf die 15 °C Temperatur eingestellt, was die typisch normale Raumtemperatur darstellt. Sollten Sie eine andere Raumtemperatur benötigen, dann drücken Sie entweder Auf- oder Ab-Tasten auf der Startseite bis auf der Anzeige Ihre gewünschte Temperatur angezeigt wird.

## Sicherheitsabschaltung

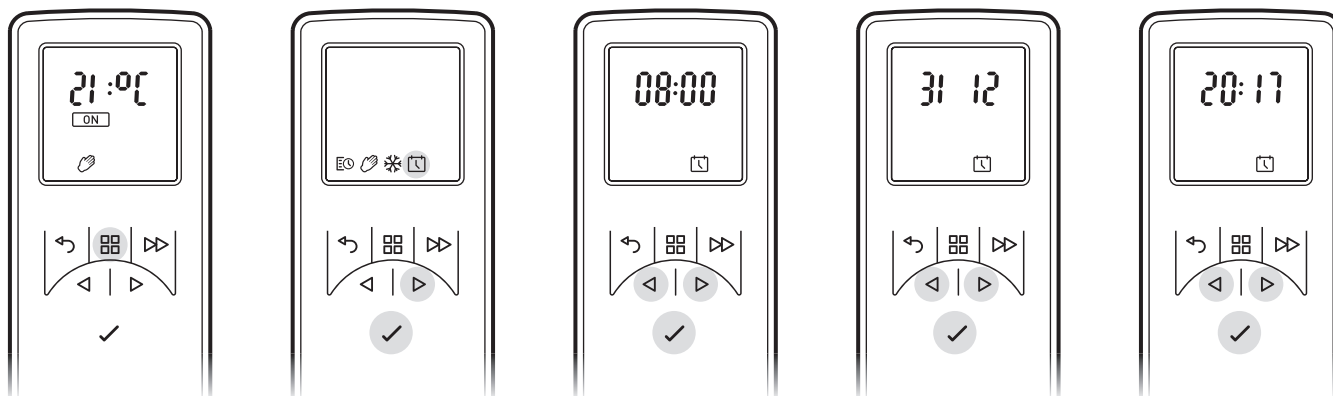
Um einen Defekt durch Überhitzung zu vermeiden, ist das Heizgebläse des Geräts mit einer Sicherheitsabschaltung ausgestattet. Dies kann passieren, wenn der Wärmeauslass auf irgendeine Art blockiert wird. Falls sich die Sicherheitsabschaltung einsetzt, ziehen Sie den Netzstecker des Heizgerätes aus der Steckdose, und warten Sie 10 Minuten, bevor Sie das Gerät wieder anschließen. Vor dem erneuten Einschalten des Heizgeräts sollten Blockaden beseitigt werden, durch die die Wärmeabgabe des Geräts verhindert wird. Anschließend kann der normale Betrieb wieder fortgesetzt werden.

**VORSICHT:** Zur Vermeidung von Gefahren durch versehentliches Rückstellen der Sicherheitsabschaltung bei Überhitzung darf dieses Gerät nicht über eine externe Schaltvorrichtung wie etwa eine Zeitschaltuhr mit Energie versorgt oder mit einem Schalter verbunden werden, der über die Vorrichtung regelmäßig ein- und ausgeschaltet wird.

## Einstellung von Datum und Uhrzeit

Um den Datum und die Uhrzeit auf den Heizungsgerät einzustellen;

1. Drücken Sie die Auswahl-Taste
2. Taste ^ viermal drücken
3. Eingabe drücken wenn die Anzeige Datum Uhrzeit blinkt
4. Eingabe drücken um die Uhrzeit einzustellen
5. Tasten v und ^ drücken um die Stunden einzustellen, dann Eingabe
6. Tasten v und ^ drücken um die Minuten einzustellen, die Eingabe drücken um die Einstellung zu bestätigen
7. Tasten v und ^ drücken um den Tag einzustellen, dann Eingabe drücken
8. Tasten v und ^ drücken um den Monat einzustellen, dann Eingabe drücken
9. Tasten v und ^ drücken um den Jahr einzustellen, dann Eingabe drücken um den Datum zu bestätigen



## Arten des ferngesteuerten Bedienung

Timer des Benutzers: Erlaubt den Benutzer eine grössere Flexibilität. Es sind vier Zeitfenster innerhalb einen Tages vorhanden die für jeden Tag der Woche benutzerdefiniert eingestellt sein können. Lesen Sie „Einstellung der Timer-Betriebsarten“ für Anweisungen zum Einstellen dieser von den Ab-Werk-Einstellungen der Zeitraum-Temperaturen.

Manueller Betrieb: In dieser Betriebsart wird die Raumtemperatur auf die von Ihnen eingestellte Fernbedienungs-Raumtemperatur an.

Frost-Schutz: In dieser Betriebsart wird die Raumtemperatur bei 7 °C gehalten. Diese Betriebsart soll als Frost-Schutz benutzt werden wie die Frost-Anzeige es zeigt.

## Auswahl und Einstellung einer Betriebsart

Timer des Benutzers - Um die vom Werk eingestellten Timer-Betriebsarten neu einzustellen:

1. Auswahl-Taste drücken
2. Einmal Taste ^ drücken so das die Zeitplan-Anzeige blinkt. Eingabe drücken
3. Taste ^ zweimal drücken, dann Tage der Woche  
\*Eingeben ist oben auf den Bildschirm angezeigt\*

Tag 1 = Montag

Tag 2 = Dienstag

Tag 3 = Mittwoch

Tag 4 = Donnerstag

Tag 5 = Freitag

Tag 6 = Samstag

Tag 7 = Sonntag

4. Eingabe drücken um Tag 1 neu einzustellen, oder Taste ^ drücken um zu dem gewünschten Tag zu navigieren, und Eingabe drücken um die Einstellung zu wählen
5. Auf den Bildschirm wird P1 angezeigt
6. Um P1 auszuwählen drücken Sie die Eingabe, um bis P2, P3 oder P4 zu navigieren drücken Sie ^ und Eingabe um die Auswahl einzugeben
7. EIN wird leuchten, dann drücken Sie Eingabe um die Zeit einzustellen
8. Tasten v oder ^ drücken um die Stunden einzustellen, Eingabe drücken um die Auswahl zu bestätigen
9. Tasten v oder ^ drücken um die Minuten einzustellen, Eingabe drücken um die Auswahl zu bestätigen
10. Tasten v oder ^ drücken um die Temperatursollwert einzustellen, Eingabe drücken um die Auswahl zu bestätigen
11. Tasten v oder ^ drücken um die Ausschaltungstunde einzustellen, Eingabe drücken um die Auswahl zu bestätigen
12. Tasten v oder ^ drücken um die Minuten des Ausschaltens einzustellen, Eingabe drücken um die Auswahl zu bestätigen

Um das Programm P2 zu ändern drücken Sie die Eingabe, führen Sie die Schritte 5-12 aus, drücken Sie die Taste ^ um P3 zu überspringen

Um das Programm P3 zu ändern drücken Sie die Eingabe, führen Sie die Schritte 5-12 aus, drücken Sie die Taste ^ um P4 zu überspringen

Um das Programm P4 zu ändern drücken Sie die Eingabe, führen sie die Schritte 5-12

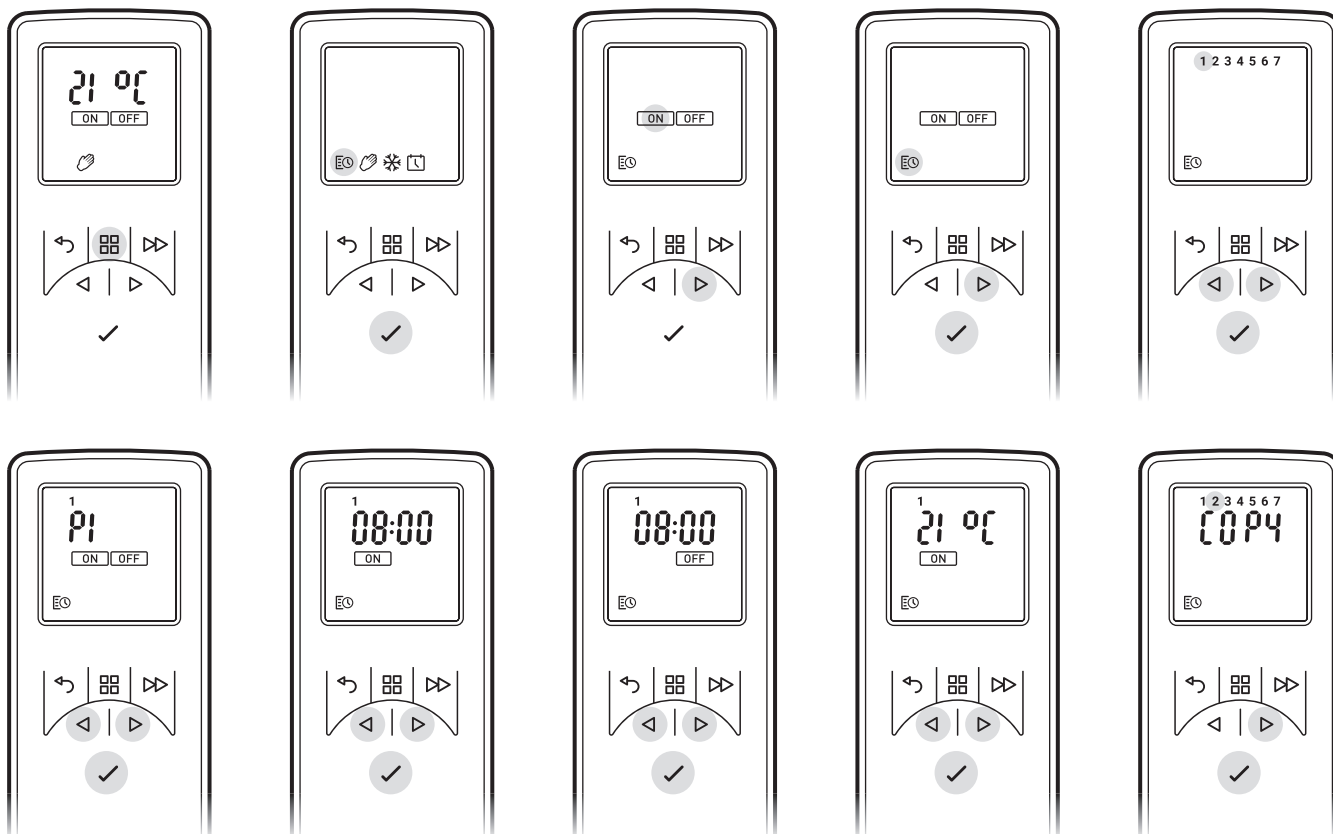
Um die neu eingestellte Heizungs-Programme P1-P4 in die andere Tagen zu kopieren drücken Sie Eingabe.

Die Kopie wird auf den Bildschirm angezeigt

Um ins nächste Tag im Programm zu kopieren drücken Sie die Taste ^ Um die Auswahl des nächsten Tages in der Sequenz aufzuheben drücken Sie die Eingabe-Taste.

Die ausgewählten Wochentage werden im oberen Bereich des Bildschirms angezeigt Die Tage die ausprogrammiert wurden werden nicht sichtbar sein (s. Diagramme).

Zu bestätigen Eingabe drücken, die Beleuchtung wird blinken und zur Startseite zurückkehren.

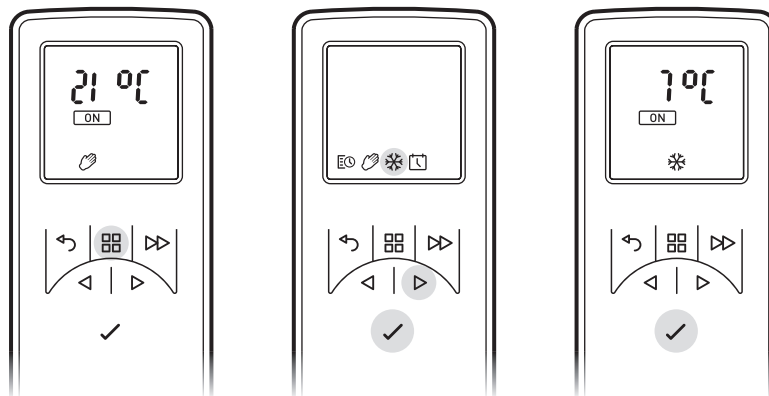


Manueller Betrieb - Um Dauerheizungs-Betrieb auszuwählen. In dieser Betriebsart wird der Timer des Benutzers ignoriert und die angezeigte Temperatur wird gehalten.

- Auswahltaste drücken
- Zweimal Taste ^ drücken um die Hand-Anzeige hervorzuheben
- Zur Bestätigung Eingabe drücken
- Tasten v und ^ nutzen um die gewünschte Temperatur einzustellen

Frost-Protect - Im Frost-Protect Betrieb eine Raumtemperatur von 7 °C wird innerhalb eines 24-Stunden-Zeitraums gehalten. Diese Betriebsart soll als Schutz gegen Frost benutzt werden, wie durch die Frost-Anzeige indiziert wird.

- Auswahl-Taste drücken
- Taste ^ dreimal drücken um die Schneeflocke-Anzeige zu beleuchten
- Eingabe drücken um die Auswahl zu bestätigen
- Tasten v oder ^ drücken um aus diese Betriebsart zu verlassen und manuellen Betrieb zu öffnen.



### Erhalten eines gewünschten Flammeneffektes

1. Drücken Sie AUSWAHL auf der Fernbedienung und FEUER wird blinken auf den Bildschirm, EINGABE drücken. Die aktuelle Einstellung wird angezeigt. Tasten ^ oder v drücken um zwischen F1 und F6 zu schalten. F1 entspricht der niedrigsten Einstellung und F6 der höchsten Einstellung.
2. Die Flammen erscheinen realistischer, wenn der Flammenregler kleiner eingestellt wird.
3. Warten Sie einen Moment, bis der Flammengenerator auf die veränderte Flammenreglereinstellung reagiert hat.
4. Der Elektrokamin verbraucht bei einem kleiner eingestellten Flammeneffekt weniger Wasser.
5. Wenn sich Wasser im Tank oder Sumpf befindet, darf der Kamin nicht gekippt oder versetzt werden.
6. Der Elektrokamin muss auf einem ebenem Untergrund stehen.

### Anpassen des Bildschirms

Der höchste Temperatursollwert des Produktes ist 32 °C Sie haben die Wahl dieses Sollwert zu reduzieren. Sie haben die Möglichkeit die °C ins °F

1. Die Auswahl-Taste drücken.
2. Taste ADV zweimal drücken - SP wird blinken.
3. Eingabe-Taste drücken um zu bestätigen.
4. Tasten v oder ^ drücken um zwischen °C und °F zu wechseln:
5. Eingabe-Taste drücken um die Auswahl zu bestätigen.
6. Tasten v oder ^ drücken um die höchste Temperatursollwert einzustellen.
7. Eingabe-Taste drücken um die Auswahl zu bestätigen.
8. Dreimal ZURÜCK drücken um in die Startseite zurückzukommen.

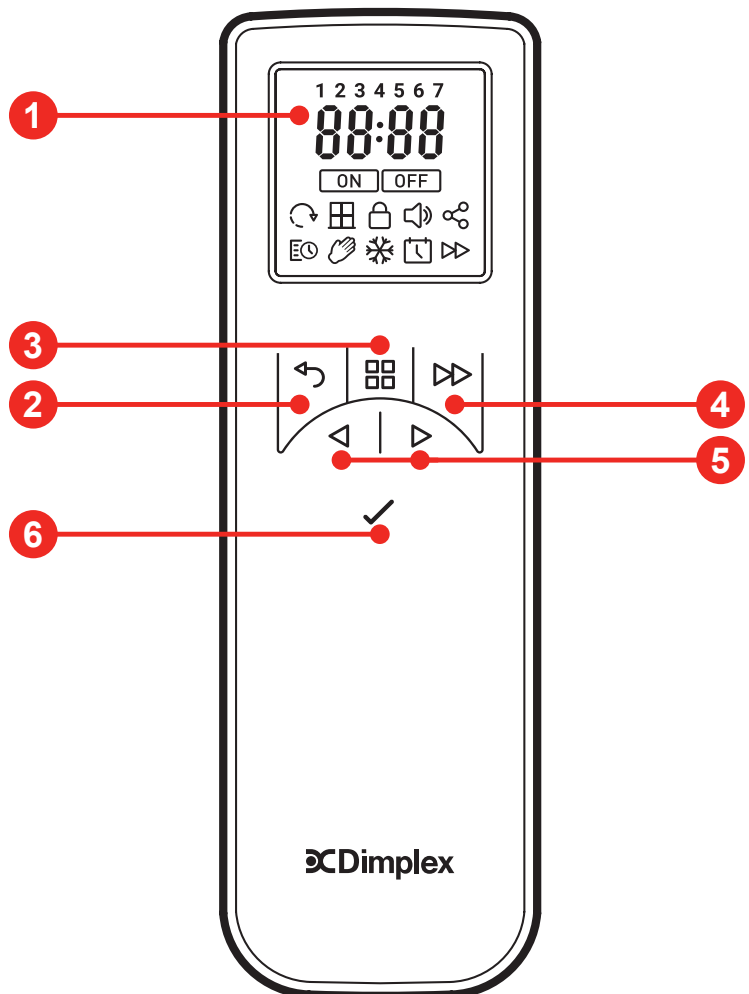
## Adaptives Einschalten

Die Elektronikbauteile des Gerätes haben eine Lernfunktion was die Zeit des Aufheizens einen Raumes betrifft. Nach dem das Gerät es erlernt wie schnell Ihr Raum aufgeheizt werden kann, ist das Gerät im Stande genau in den Augenblick sich einzuschalten so das in den Raum eine komfortable Temperatur gehalten wird. Wenn Sie beispielsweise um 7:00 Uhr aufstehen, müssten Sie normalerweise raten, wann die Heizung einzuschalten ist, um den Raum rechtzeitig vorzuheizen. Abhängig davon, wie kalt es draußen ist, kann das bedeuten, dass der Raum immer noch kalt ist, wenn Sie aufstehen müssen, oder dass er schon eine halbe Stunde vorher unnötigerweise geheizt ist. Adaptives Einschalten ist wenn Sie 21 °C um 7 Uhr morgens auswählen, das Heizungsgerät schaltet sich genau um die Zeit um Ihren Raum auf die eingestellte Temperatur zu bringen, innerhalb einer kürzeren Zeit in wärmeren Wetter, und sicherstellend das der Raum ist schön warm in dem Winter.

Die Funktion des adaptiven Einschaltens wird automatisch in den Timer-Betrieb eingeschaltet.

## Fernbedienung

- 1 Anzeige
- 2 Taste 'Zurück'
- 3 Taste 'Auswahl'
- 4 Taste 'Vorwärts'
- 5 Pfeile 'Auf- und Ab-'
- 6 Taste 'Eingabe'



### **ACHTUNG: VOR WARTUNGSARBEITEN IMMER DEN NETZSTECKER ZIEHEN**

#### **Einsetzen der Ersatzlampen**

Wenn der Rauch größtenteils grau/farblos ist, ist ggf. mindestens eine Lampe ausgefallen.

Die Lampen können Sie folgendermaßen auf Funktion prüfen:

1. Während des eingeschalteten Flammeneffekts Schublade vollends ausziehen. (Siehe Abb. 3)
2. Aus einem Sichtabstand Lampen auf Ersatznotwendigkeit prüfen.
3. Stellen Sie Schalter „A“ auf Position „OFF“ (AUS) und ziehen Sie den Netzstecker des Kamineinsatzes aus der Steckdose.
4. Lassen Sie das Gerät 20 Minuten lang ausgeschaltet, damit sich die Lampen vor dem Ausbau abkühlen können.
5. Wassertank hochheben und in ein Becken stellen.
6. Bauen Sie den Sumpf aus, wie im Abschnitt „Reinigung“ erläutert.
7. Defekte Lampe entfernen - vorsichtig senkrecht anheben und Stifte von der Lampenhalterung lösen (Abb. 4/5). Mit der folgenden Lampe ersetzen: 12V, 45w, Gu5.3 base, 8° Winkel, farbig. Lampen erhalten Sie bei Ihrem Fachhändler.
8. Führen Sie die beiden Kontaktstifte der neuen Lampe in die beiden Öffnungen des Lampensockels ein und schieben Sie sie bis zum Anschlag hinein. (Siehe Abb. 4)
9. Wassertank austauschen und Schublade vorsichtig schließen.
10. Schalten Sie das Gerät ein.

#### **Wassertank auffüllen**

Wenn der Wassertank leer ist, schaltet sich der Feuer- und Raucheffekt ab und es ertönen 2 akustische Warnsignale.

So wird der Tank aufgefüllt:

1. Schalter „A“ auf **(0)** (See Fig. 2)
2. Schublade so weit wie möglich ausziehen. (See Fig. 3)
3. Den Wassertank nach oben aus dem Gerät herausheben.
4. Den Wassertank in ein Waschbecken legen und den Tankdeckel gegen den Uhrzeigersinn abschrauben. (See Fig. 6)
5. Tank nur mit **Leitungswasser befüllen (Maximalhärte: 10 dH)**. Hierdurch wird die Lebensdauer der Flamme und des Rauchgeräts erhöht. Bei höherer Wasserhärte Filter (Maxtra) nutzen. **Keinen Entkalker benutzen.**
6. Den Deckel wieder festschrauben, **aber nicht überdrehen.**
7. Den Tank wieder in den Behälter einsetzen. Der Tankdeckel muss dabei nach unten und die flache Tankseite nach außen zeigen.
8. Schublade sanft bis zum Anschlag zurückschieben.
9. Schalter „A“ auf „ON“ **(I)** Position (s. Abb. 2)
10. Schalter B 'einmal zur Aktivierung des Flammeneffekts einschalten. (s. Kapitel „Steuerung“ in der Anleitung, Abb. 2).

#### **Reinigung**

##### **ACHTUNG – VOR DEM REINIGEN DES HEIZGERÄTES IMMER DEN NETZSTECKER ZIEHEN.**

Bitte die folgenden Elemente zweiwöchentlich reinigen, insbesondere in Gebieten mit hartem Wasser.

Wassertank, Behälter und Dichtung, Behälterdeckel, Tankdeckel und -dichtung, Luftfilter.

Nur mit weichem Staubtuch - niemals mit Scheuermitteln - reinigen. Regelmäßig das Gitter der Lüftung mit einer weichen Bürste (Staubsaugerzubehör) reinigen.

#### **Wassertank**

1. Den Tank - wie zuvor erläutert - ausbauen, in ein Waschbecken legen und das Wasser ablassen.
2. Mit der beigegefügt Bürste die Innenflächen des Deckels sanft abbürsten. Dabei besonders den Gummiring in der Außennut und die Gummidichtung in der Mitte sauber bürsten.
3. Eine sparsame Menge Spülmittel in den Wasserbehälter füllen, den Deckel festschrauben und gut schütteln. Das Spülmittel komplett wieder ausspülen, bis davon keine Spuren im Abwasser mehr zu sehen sind.
4. Ausschließlich mit gefiltertem Leitungswasser auffüllen, den Deckel wieder anbringen und nicht überdrehen.

#### **Sumpf**

1. Schalter „A“ auf die „OFF“ **(0)** stellen.
2. Schublade vorsichtig so weit wie möglich herausziehen. (See Fig. 3)
3. Den Wassertank nach oben herausheben.
4. Elektrostecker (am Behälter links) abmontieren - zunächst Schrauben lösen und dann vorsichtig abziehen. (s. Abb. 8)
5. Lösen Sie die unteren Stege von dem Sumpf durch verdrehen, dies erlaubt dem Sumpf komplett aus seiner Position abzuheben. (s. Abb. 9)
6. Das gesamte Bauteil des Sumpfes sorgfältig aufrecht aufheben so das kein Wasser auch ausgießen lässt. Das gesamte Bauteil in ein Waschbecken stellen. (s. Abb. 10)
7. Lösen Sie die zwei Einrastzapfen von dem Sumpf durch verdrehen auf 90°, danach heben Sie den Sumpfdeckel ab. (s. Abb. 11)



8. Wie auf der Abbildung zu sehen, vorsichtig seitlich kippen, damit die Flüssigkeit aus dem Sumpf ablaufen kann. (s. Abb. 12)
9. Kleine Spülmittellösung in den Behälter eingeben und sämtliche Oberflächen. Verwenden Sie die mitgelieferte Bürste, um alle Oberflächen, u. a. die Metallscheibe und die Gummidichtung (in Kerben in der Oberfläche) sanft zu reinigen. **Gummidichtungen nicht entfernen.** (s. Abb. 13 und 14)
10. Nach der Reinigung den Behälter mit sauberem Wasser ausspülen.
11. Die Auslassfläche am Sumpfdeckel mit der Bürste säubern und mit Wasser gründlich spülen. (s. Abb. 15 & 16)
12. Zur Montage vorstehend bezeichnete Schritte umgekehrt anwenden.

### **Luftfilter**

1. Schalter „A“ in die „AUS“ Position (0) Position (s. Abb. 2)
2. Schublade sanft so weit wie möglich herausziehen. (s. Abb.. 3)
3. Tank entfernen. In ein Spülbecken stellen - mit dem Deckel nach oben gerichtet.
4. Schieben Sie sanft die Plastikhalterung des Luftfilters nach oben. (s. Abb.. 17)
5. Entfernen Sie die Filtergruppe von der Plastikhalterung.
6. Vorsichtig im Spülbecken mit Wasser ausspülen und mit einem Handtuch abtrocknen.
7. Tauschen Sie die Filterkombination aus. Der schwarze Filter muss die Plastikhalterung berühren. (s. Abb. 18)
8. Tank austauschen.
9. Schublade vollständig verschließen.
10. Schalter „A“ auf die Position „EIN“ (I) Position. (s. Abb. 2)

## Zusatzinformationen

### **Wiederverwertung.**



Die innerhalb der europäischen Gemeinschaft verkaufte Elektroprodukte. Elektroprodukte dürfen am Ende ihrer Lebensdauer nicht im regulären Haushaltsmüll entsorgt werden. Sie müssen in den vorhandenen Wiederverwertungsanlagen verarbeitet werden. Informationen zur Wiederverwertung in Ihrem Land erhalten Sie bei Ihrer lokalen Behörde oder bei Ihrem Händler.

### **Kundenservice**

Für dieses Produkt gilt eine Garantie von einem Jahr ab den Kaufdatum. Innerhalb dieses Zeitraums verpflichten wir uns, Reparaturen oder einen Produkttausch kostenlos durchzuführen (ausgenommen der Leuchten je nach Verfügbarkeit), sofern gewährleistet ist, dass die vorliegenden Anweisungen bei Installation und Bedienung beachtet wurden. Falls Sie unseren Kundendienst in Anspruch nehmen möchten oder Ersatzteile benötigen, wenden Sie sich bitte an den Fachhändler, bei dem das Gerät gekauft wurde, oder rufen Sie unter der Servicenummer an, die für Ihr Land auf der Garantiekarte angegeben ist. Fehlerhafte Geräte sollten Sie aber nicht direkt an uns zurückschicken, da es hierbei zu Verlusten, Beschädigungen oder Verzögerungen kommen kann und Ihr Problem nicht zufriedenstellend gelöst wird. Bitte bewahren Sie Ihre Quittung als Kaufleg auf.

## Fehlerbehebung

Symptom	Ursache	Abhilfe
Der Flammeneffekt lässt sich nicht einschalten.	<p>Netzstecker ist nicht angeschlossen.</p> <p>Schalter A ist EINGeschaltet (I) Position, aber Modus Schalter B wurde nicht gedrückt. (Siehe Abb. 2)</p> <p>Wenig Wasser.</p> <p>Niedervolt-Steckverbindebuchse nicht ordnungsgemäß angeschlossen (Siehe Abb. 8)</p>	<p>Prüfen Sie, ob der Netzstecker richtig an die Steckdose angeschlossen ist.</p> <p>Schalter B auf Flammeneffekt prüfen. (See Fig. 2)</p> <p>Prüfen Sie, ob der Wassertank gefüllt ist, und ob sich Wasser im Sammelbehälter befindet.</p> <p>Prüfen Sie, ob der Stecker richtig eingesteckt ist. (See Fig. 8)</p>
Der Flammeneffekt arbeitet zu niedrig.	<p>Flammeneffekt ist zu niedrig eingestellt.</p> <p>Das Wasser im Behälter steht unter Umständen zu hoch, weil die Lade häufiger geöffnet und geschlossen wurde, der Wassertank mehrmals herausgenommen oder der Kamin versetzt wurde.</p> <p>Metallscheibe unten im Behälter möglicherweise verschmutzt (s. Abb. 13)</p>	<p>Flammenstärke per Fernbedienung erhöhen. (s. Kapitel „Produkt bedienen“)</p> <p>Ist der Wasserstand im Behälter höher als 40 mm, sollte er ausgebaut und in ein Waschbecken entleert werden.</p> <p>Saubere Metallscheibe mit Bürste im Lieferumfang. (s. Abb. 13) s. 'Wartung' für schrittweise Anleitung.</p>
Unangenehmer Geruch während des Betriebs.	Verschmutztes oder abgestandenes Wasser.	<p>Das Gerät wie im Wartungsabschnitt erläutert reinigen.</p> <p>Nur Leitungswasser verwenden, Mindesthärte: 10 dH.</p>
Der Flammeneffekt stößt zu viel Rauch aus.	Der Flammeneffekt ist zu stark eingestellt.	<p>Flamme herunterdrehen (Daumenrad 'D') - zunächst auf ein Minimum. Dann langsam aufdrehen, stets in Vierteldrehungsschritten. Warten Sie etwas, bis der Flammengenerator reagieren kann, bevor Sie die Flammen höher stellen. (See Fig. 2)</p>
Die Hauptlampen leuchten nicht, und es sind weder Flammen noch Rauch zu sehen.	Es ist kein Wasser im Tank.	<p>Befolgen Sie die Anweisungen unter <b>Wartung</b>, „Wassertank auffüllen“.</p> <p>Prüfen Sie, ob der Netzstecker richtig an die Steckdose angeschlossen ist.</p> <p>Schalter 'A' Abb. 2 ist EINGeschaltet (I).</p> <p>Schalter 'B', Abb. 2, drücken - bis ein Signal ertönt (wg. Flammeneffekt).</p>
Kondensation an der Scheibe	<p>Die Dampfmenge ist zu hoch eingestellt.</p> <p>Die Glasscheibe ist beim Einschalten zu kalt.</p>	<p>Die Dampfstärke durch Herunterdrehen des Einstellrads „D“ reduzieren</p> <p>Die Dampfstärke auf niedrig einstellen und mit dem Schalter „C“ Geschwindigkeit erhöhen.</p> <p>Das Gerät mit dieser Einstellung betreiben, bis die Scheibe klar wird. Dann zur bevorzugten Einstellung zurückkehren. Sollte sich erneut Kondensation bilden, das Verfahren wiederholen.</p>

**IMPORTANTE: LE PRESENTI ISTRUZIONI DEVONO ESSERE LETTE CON ATTENZIONE E CONSERVATE PER USO FUTURO**

Quando si utilizzano apparecchiature elettriche, è necessario attenersi sempre alle precauzioni fondamentali per ridurre i rischi di incendio, scossa elettrica e lesioni personali, compreso quanto segue:

Se l'apparecchiatura è danneggiata, consultare il fornitore prima dell'installazione e l'utilizzo.

Non utilizzare all'esterno.

Non utilizzare nelle immediate vicinanze di un bagno e di una doccia o piscina.

Non collocare l'apparecchiatura immediatamente sotto una presa di rete o scatola di connessione.

Questa apparecchiatura può essere utilizzata da bambini a partire dagli 8 anni di età e da persone con abilità fisiche, sensoriali o mentali ridotte oppure da inesperti o con competenze ridotte solo sotto supervisione o dopo aver ricevuto istruzioni sull'uso sicuro dell'apparecchiatura e consapevoli dei pericoli connessi. I bambini non devono giocare con l'apparecchiatura. La pulizia e la manutenzione da parte dell'utente non devono essere effettuate da bambini senza supervisione.

I bambini di età inferiore ai 3 anni devono essere tenuti lontani, salvo se supervisionati costantemente.

I bambini di età compresa tra i 3 e gli 8 anni possono soltanto accendere/spegnere l'apparecchiatura a condizione che siano supervisionati o che siano state fornite loro le istruzioni riguardanti l'uso sicuro dell'apparecchiatura, siano consapevoli dei pericoli connessi e l'apparecchiatura sia collocata o installata nella posizione di esercizio prevista. I bambini di età compresa tra 3 e 8 anni non devono collegare, regolare e pulire l'apparecchiatura o eseguire la manutenzione da parte dell'utente.

Non utilizzare questa apparecchiatura collegata in serie con un dispositivo di controllo termico, un controllore programmabile, un temporizzatore o qualsiasi altro dispositivo che accenda il riscaldamento in modo automatico, poiché sussiste il pericolo d'incendio nel caso in cui l'apparecchiatura sia accidentalmente coperta o collocata in modo erraneo.

Questa apparecchiatura non è dotata di dispositivo di controllo della temperatura ambiente.

Non utilizzare questa apparecchiatura in locali di piccole dimensioni quando occupati da persone non in grado di lasciare il locale autonomamente, salvo non sia prevista la costante supervisione.

Accertarsi che mobili, tende o altro materiale infiammabile non siano posizionati a una distanza inferiore a 1 metro dall'apparecchiatura.

In caso di guasto, scollegare l'apparecchiatura dalla presa di rete.

Scollegare l'apparecchiatura se non utilizzata per lunghi periodi.

Sebbene questa apparecchiatura sia conforme agli standard di sicurezza, se ne sconsiglia l'utilizzo su tappeti spessi o a pelo lungo.

Questa apparecchiatura deve essere posizionata in modo tale che la presa di rete risulti accessibile.

Se il cavo di alimentazione è danneggiato, deve essere sostituito dal produttore, dal tecnico dell'assistenza o da personale qualificato, al fine di evitare qualsiasi pericolo.

Tenere il cavo di alimentazione lontano dalla parte anteriore dell'apparecchiatura.

Avvertenza: Onde evitare il surriscaldamento, non coprire l'apparecchiatura. Non collocare materiale o indumenti sull'apparecchiatura, né ostruire la circolazione dell'aria attorno all'apparecchiatura, ad esempio, tende o mobili, poiché ciò potrebbe provocare surriscaldamento e pericolo d'incendio.

Avvertenza: Al fine di evitare un pericolo dovuto alla reimpostazione involontaria dell'esclusione termica, questa apparecchiatura non deve essere alimentata attraverso un dispositivo di commutazione esterno, quale un temporizzatore, né connessa a un circuito che sia regolarmente attivato/disattivato dall'utenza.

**ATTENZIONE** - Alcune parti di questo prodotto possono diventare molto calde e causare ustioni. È necessario prestare particolare attenzione in caso di presenza di bambini o soggetti deboli.

## Informazioni generali

Disimballare la stufa con attenzione e conservare la confezione per uso futuro, in caso di trasloco o di restituzione dell'apparecchiatura al fornitore. Il telecomando, le batterie e le lampadine sono imballate separatamente nel cartone.

La stufa integra un effetto fiamma, che può essere utilizzato con o senza riscaldamento, per poter godere dell'atmosfera creata dal fuoco in qualsiasi periodo dell'anno. L'utilizzo del solo effetto fiamma richiede poca energia elettrica.

Prima di collegare l'apparecchiatura, verificare che la tensione di rete sia quella riportata sulla stufa.

Nota: se l'apparecchiatura è utilizzata in un ambiente pressoché privo di rumore di fondo, potrebbe essere udibile un rumore connesso al funzionamento dell'effetto fiamma. È normale e non deve destare preoccupazione.

### Collegamento elettrico.

#### **AVVERTENZA: QUESTA APPARECCHIATURA DEVE ESSERE COLLEGATA A TERRA.**

Questa stufa deve essere utilizzata esclusivamente con alimentazione CA ~ e la tensione riportata sulla stufa deve corrispondere a quella dell'alimentazione di rete.

Prima di accendere la stufa, leggere attentamente le avvertenze di sicurezza e le istruzioni d'uso.

#### **SI PREGA DI VOLER CONSERVARE LA PRESENTE GUIDA DELL'UTENTE PER USO FUTURO**

**Non mettere i componenti di plastica Opti-myst nella lavastoviglie.**

**Estrarre il cassetto soltanto quando il serbatoio dell'acqua deve essere riempito o se è necessario sostituire una lampadina; in caso contrario si potrebbe alterare inavvertitamente il livello dell'acqua e il funzionamento dell'effetto fiamma.**

**In questa apparecchiatura utilizzare esclusivamente acqua di rubinetto con durezza massima di 10 dH.**

**Assicurarsi sempre che l'apparecchiatura si trovi su una superficie piana.**

**Se non si intende utilizzare l'apparecchiatura per un periodo superiore alle due settimane, scaricare l'acqua dalla vaschetta e dal serbatoio dell'acqua e asciugare la vaschetta.**

**Una volta installata, non spostare l'apparecchiatura e non poggiarla sul lato posteriore senza aver prima scaricato l'acqua dalla vaschetta e dal serbatoio.**

**Il serbatoio dell'acqua, la vaschetta, il coperchio della vaschetta e i filtri dell'aria devono essere puliti ogni due settimane, specialmente nelle zone di elevata durezza dell'acqua.**

**L'apparecchiatura non deve essere mai utilizzata se le lampadine non funzionano.**

**Le lampadine devono essere ispezionate regolarmente secondo quanto descritto in “Manutenzione” e “Sostituzione delle lampadine”.**

### Dati tecnici

Modello N.: 3 Step E

Potenza riscaldamento		230 V	240 V	
Potenza riscaldamento nominale	$P_{Nom}$	0.9	1.0	kW
Potenza riscaldamento minima	$P_{min}$	0.9	1.0	kW
Potenza riscaldamento continuo max	$P_{max}$	0.9	1.0	kW
Consumo di elettricità ausiliario				
In modalità stand-by	$P_{Nom}$	0.87	0.93	W

controllo temperatura ambiente elettronico e timer settimanale

## Istruzioni per l'installazione

Il 3-Step può essere modificato per ottenere tre diverse versioni, il Tripple (vetro su 3 lati), il Duet (vetro su 2 lati) e il Relax (solo vetro frontale). Il prodotto viene già fornito come Relax. Per la modifica tra i vari modelli, fissare le ventose sul vetro frontale e sollevare quest'ultimo verso l'alto, quindi verso il basso allontanandolo dal prodotto; vedere Fig. 3a. Rimuovere il cordone in gomma all'interno del vetro laterale sulla parte inferiore e superiore. Estrarre la piastra metallica e il vetro laterale facendoli scorrere insieme; vedere Fig. 3b. Separare il vetro laterale e farlo scorrere nuovamente in posizione. Utilizzare il cordone in gomma più grande che si trova nel pacco istruzioni per fissare il vetro laterale in posizione. Ricollocare il vetro frontale ripetendo i passaggi precedenti al contrario. Utilizzare le ventose per regolare il vetro laterale in modo tale che il vetro frontale e quello laterale siano installati correttamente. Accertarsi che vi sia uno spazio di 300 mm tra la parte superiore della stufa e la parte inferiore di un eventuale scaffale. **Montaggio a parete:** Costruire una piattaforma su cui posizionare l'unità. Avvalersi delle dimensioni riportate nella Fig. 1 Montare il sostegno a muro a livello e nella posizione desiderata sulla parete con l'ausilio di quattro tasselli adatti per il muro. Avvalendosi di due persone che sorreggono la stufa su ambo i lati, portare delicatamente la stufa in posizione e appenderla sul sostegno a muro. Sotto l'apparecchiatura sono presenti quattro supporti regolabili per il livellamento, laddove la base dell'apertura della stufa sia sollevata sopra il livello della piattaforma. Nella costruzione di una copertura anteriore, accertarsi che sia presente un'apertura frontale che consenta all'aria di raggiungere il prodotto; vedere Fig. 21. Ciò

è essenziale per l'effetto fiamma. Accertarsi inoltre che sia presente uno sfianto sulla parte superiore del prodotto, fondamentale per il corretto funzionamento della stufa; vedere Fig. 20.

### **Prima di installare quest'apparecchiatura, si consiglia quanto segue:**

1. Scegliere la versione di 3-Step desiderata e apportare la necessaria regolazione all'apparecchiatura
2. Far pulire il camino da personale competente.
3. Bloccare la canna fumaria del camino.

Questa procedura è importante per garantire il funzionamento efficiente dell'unità di riscaldamento e ridurrà altresì la perdita di calore attraverso il camino.

### **Installazione.**

**Assicurarsi che i materiali d'imballaggio vengano tutti rimossi (leggere attentamente tutte le etichette con le avvertenze).**

**Conservare l'imballo per un possibile uso futuro, ad es. in caso di trasloco o restituzione dell'apparecchiatura al fornitore.**

Si è ora pronti a installare la stufa elettrica. Accertarsi che l'unità sia **SPENTA**.

Mediante tasselli adatti per il muro, fissare la staffa. Collegare la stufa a una presa di rete da 13 amp/240 volt. Assicurarsi che le uscite del cavo di alimentazione si trovino sulla parte anteriore della stufa, all'angolo destro o sinistro, per un'adeguata posizione rispetto alla presa e per fare in modo che non sia bloccato sotto la stufa per evitare danni.

**Prima di utilizzare i controlli manuali riempire innanzitutto il serbatoio dell'acqua (Fare riferimento a "Manutenzione", "Riempire il serbatoio dell'acqua").**

### **Azionamento della stufa**

**AVVERTENZA: LA MANCATA OSSERVANZA DELLE ISTRUZIONI D'USO PUÒ CAUSARE LESIONI E/O DANNI.**

### **Controlli manuali**

I controlli manuali Opti-myst si trovano alla base dell'apparecchiatura.

(Fare riferimento alla Fig.2 per lo schema dei Controlli Manuali)

Interruttore "A": controlla l'alimentazione elettrica della stufa.

Nota: Questo interruttore deve trovarsi in posizione "ON" (I) in modo che la stufa possa funzionare con o senza calore una volta attivata.


Interruttore "B": premerlo  una volta per attivare l'effetto fiamma. Verrà segnalato da un "bip". Le luci principali si attivano immediatamente mentre saranno necessari altri 45 secondi prima che l'effetto fiamma si attivi.

Premere  per mettere la stufa in modalità di stand-by. La modalità verrà segnalata da un "bip".

### **Telecomando**

Il telecomando si trova in un sacchetto insieme a 2 batterie AA. Sollevare il coperchio del vano batterie sul retro del telecomando e inserire le batterie verificando la polarità.

Il telecomando è già stato programmato per funzionare con il prodotto dalla fabbrica. Nello sfortunato caso in cui il telecomando si scolleghi dal prodotto, o se si riceve un telecomando di ricambio, sarà necessario eseguire nuovamente la procedura di abbinamento:

1. Con il prodotto collegato alla rete premere l'interruttore A portandolo in posizione di ON (I). Viene emesso un bip
2. Tenere premuto il "Tasto 6" finché non compare PAIR (ABBINA) sul display
3. Avvicinare il telecomando al prodotto nel punto in cui si trova il ricevitore . Vedere Fig. 3C
4. Il prodotto emette dei bip e lampeggia
5. Premere il "Tasto 6" per completare la procedura di abbinamento. Il prodotto entra in modalità standby.

### **Accensione dell'apparecchiatura**

Tenere premuto il tasto ENTER per 3 secondi per attivare il telecomando. Viene visualizzata la scritta FIRE e ON lampeggia. Premere ENTER per accendere l'apparecchiatura. Per spegnere l'apparecchiatura premere MENU, FIRE lampeggia, quindi premere due volte ENTER.

### **Regolare l'impostazione della fiamma**

Con il telecomando attivato premere una volta. FIRE lampeggerà sul display. Premere ENTER. Viene visualizzata l'impostazione della fiamma corrente F1-F6. Premere i tasti SU e GIÙ per regolare l'impostazione. Dopo aver selezionato l'impostazione della fiamma desiderata, premere due volte BACK per uscire dal menu e tornare alla schermata principale.

### **Attivazione del calore**

Con il telecomando attivato premere una volta MENU. FIRE lampeggia sul display. Premere ADV una volta, HEAT lampeggerà. Premere ENTER. Viene visualizzata l'impostazione del calore corrente OFF LO HI. Premere i tasti SU e GIÙ per regolare l'impostazione. Dopo aver selezionato l'impostazione della fiamma premere ENTER

## Impostazione del termostato

La temperatura mostrata sul display è il valore prefissato della temperatura ambiente. Si tratta della temperatura che la stufa mantiene durante i periodi di riscaldamento. Se la temperatura ambiente si trova al di sopra di questa temperatura, la stufa non funziona. La stufa viene consegnata con la temperatura impostata su 15 °C, una temperatura ambiente confortevole. Se si desidera una temperatura ambiente diversa, premere il tasto su o giù sulla schermata principale finché il display non mostra la temperatura scelta.

## Esclusione termica di sicurezza

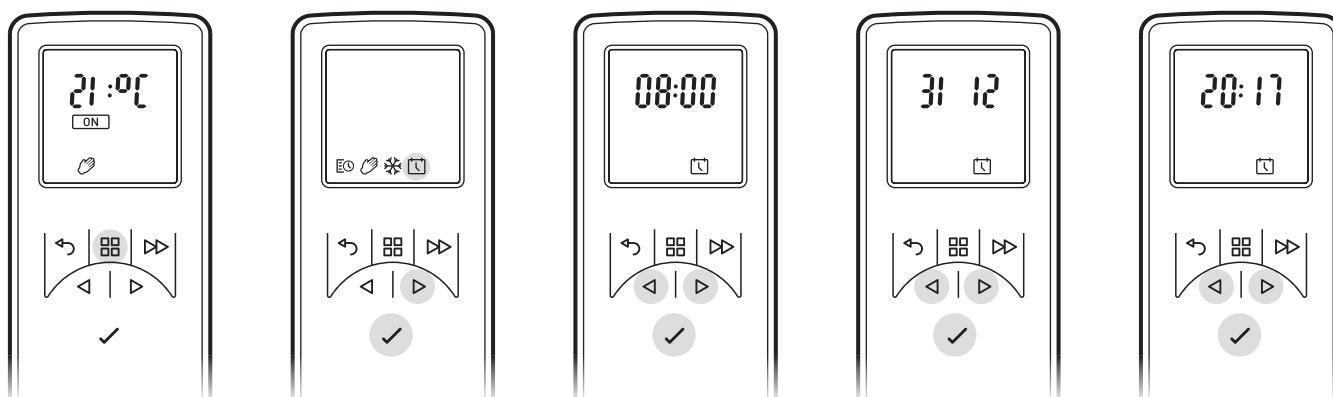
L'esclusione termica di sicurezza è incorporata nella stufa a ventola per evitare danni dovuti al surriscaldamento. Ciò può verificarsi se l'uscita del calore è in qualche modo ostruita. Se l'esclusione termica è attiva, scollegare la stufa dalla presa di rete e attendere 10 minuti prima di ricollegarla. Prima di riaccendere la stufa, rimuovere l'ostruzione all'altezza dell'uscita del calore, quindi proseguire col normale funzionamento.

**ATTENZIONE:** Al fine di evitare un pericolo dovuto alla reimpostazione involontaria dell'esclusione termica, questa apparecchiatura non deve essere alimentata attraverso un dispositivo di commutazione esterno, quale un temporizzatore, né connessa a un circuito che sia regolarmente attivato/disattivato dall'utenza.

## Impostazione della data e dell'ora

Per impostare la data e l'ora sulla stufa:

1. Premere il tasto Menu
2. Premere il tasto  $\wedge$  4 volte
3. Premere Enter quando l'icona della data e dell'ora lampeggia
4. Premere Enter per impostare l'Ora
5. Premere v e  $\wedge$  per impostare le Ore; premere Enter
6. Premere v e  $\wedge$  per impostare i Minuti, premere Enter per confermare l'ora
7. Premere v e  $\wedge$  per impostare il Giorno, premere Enter
8. Premere v e  $\wedge$  per impostare il Mese, premere Enter
9. Premere v e  $\wedge$  per impostare l'Anno, premere Enter per confermare la data



## Modalità del funzionamento in remoto

Timer Utente: offre grande flessibilità all'utente. Sono disponibili quattro fasce orarie giornaliere che è possibile personalizzare per ciascun giorno della settimana. Consultare "Come regolare le modalità timer" per leggere le istruzioni su come regolarle, passando da quelle di fabbrica per gli orari e le temperature.

Modalità Manuale: Questa modalità scalda la stanza alla temperatura impostata sul telecomando.

Protezione dal gelo: Questa modalità mantiene una temperatura ambiente di 7 °C. Deve essere utilizzata per proteggere dal gelo come indicato dall'icona del ghiaccio.

## Scelta e Impostazione di una Modalità

Timer Utente - Per riprogrammare le modalità Timer predefinite in fabbrica:

1. Premere il tasto Menu
2. Premere una volta  $\wedge$ , l'icona programmata lampeggia. Premere Enter
3. Premere  $\wedge$  due volte quindi premere Enter

\*I giorni della settimana vengono visualizzati sulla parte superiore dello schermo\*

Giorno 1 = Lunedì

Giorno 2 = Martedì

Giorno 3 = Mercoledì

Giorno 4 = Giovedì

Giorno 5 = Venerdì

Giorno 6 = Sabato

Giorno 7 = Domenica

4. Premere Enter per modificare il Giorno 1 o Premere ^ per scorrere i giorni e selezionare quello desiderato, quindi Premere Enter per Selezionare
5. P1 viene visualizzato sullo schermo
6. Premere Enter per selezionare P1, per passare a P2, P3 o P4 premere ^ e premere Enter per selezionare
7. Viene evidenziato ON, premere Enter per impostare l'ora di inizio
8. Premere v o ^ per regolare l'Orà iniziale, premere Enter per Confermare
9. Premere v o ^ per regolare i Minuti di inizio, premere Enter per Confermare
10. Premere v o ^ per regolare l'impostazione della Temperatura, premere Enter per Confermare
11. Premere v o ^ per regolare l'Orà di fine, premere Enter per Confermare
12. Premere v o ^ per regolare i Minuti di fine, premere Enter per Confermare

Premere Enter per modificare il Programma P2, seguire i passaggi da 5 a 12, Premere ^ per passare a P3  
 Premere Enter per modificare il Programma P3, seguire i passaggi da 5 a 12, Premere ^ per passare a P4  
 Premere Enter per modificare il Programma P4, seguire i passaggi da 5 a 12

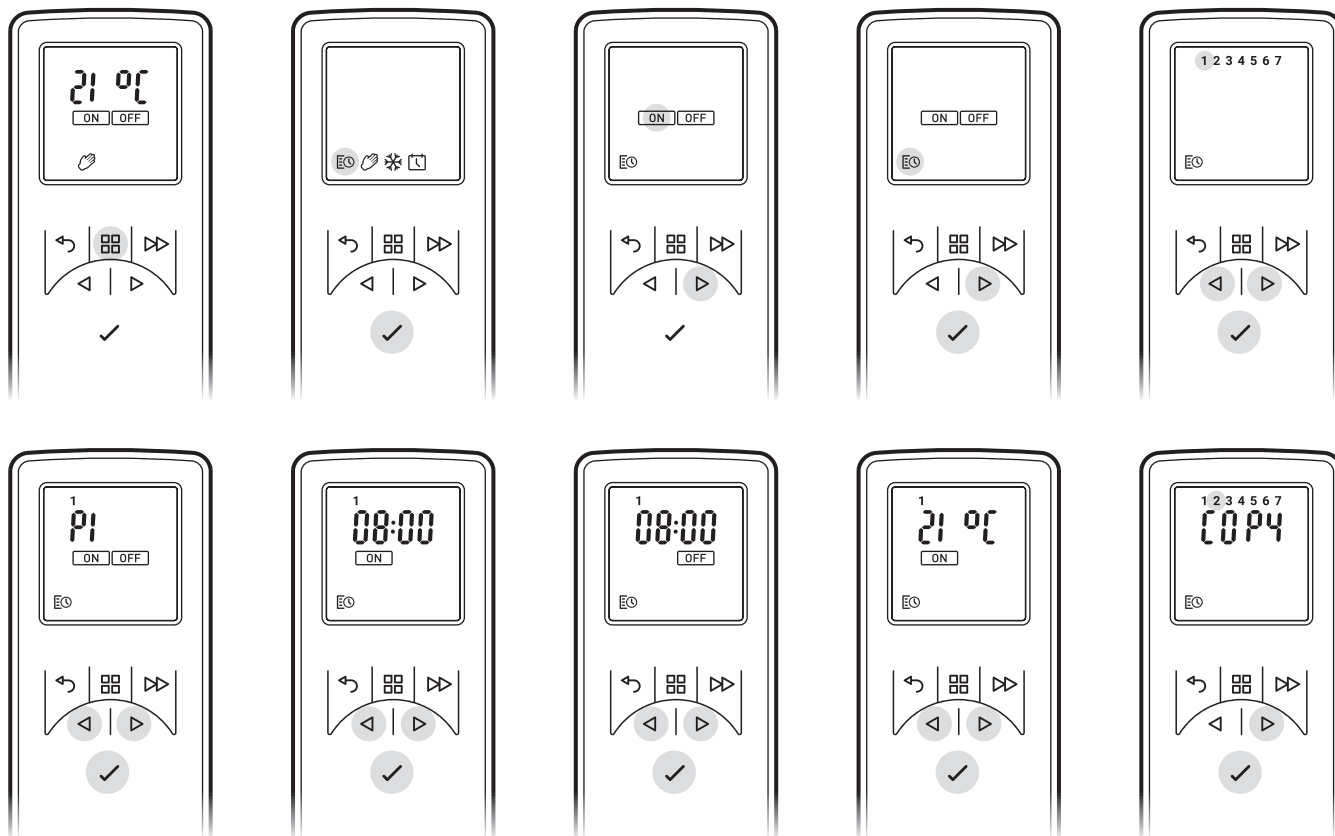
Per copiare programmi di riscaldamento nuovi da P1 a P4 su altri giorni, premere il tasto Enter.

CLa copia viene visualizzata sullo schermo

Per copiare sul giorno successivo in sequenza, premere il tasto ^. Per deselezionare il giorno successivo in sequenza premere il tasto Enter.

I giorni della settimana selezionati vengono visualizzati nella parte superiore dello schermo. I giorni che sono stati deselezionati non saranno visibili (vedere Diagrammi).

Premere Enter per confermare, una retroilluminazione lampeggia e si torna alla schermata principale.

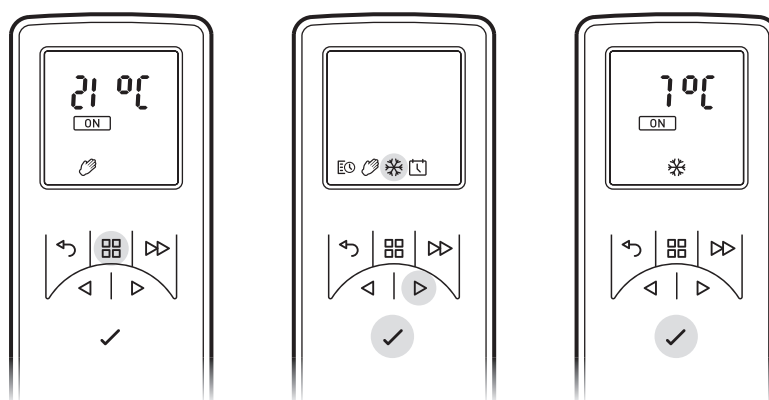


Modalità Manuale - Per scegliere una modalità calore costante. Questa modalità ignora il Timer Utente e mantiene la temperatura visualizzata.

- Premere il tasto Menu
- Premere due volte ^ per evidenziare l'icona della mano
- Premere Enter per Confermare
- Utilizzare v e ^ per regolare la temperatura desiderata

Protezione dal gelo - La modalità di protezione dal gelo mantiene una temperatura ambiente di 7 °C per un arco di 24 ore. Questa modalità deve essere utilizzata per proteggere dal gelo come indicato dall'icona del ghiaccio.

- Premere il tasto Menu
- Premere tre volte ^ per evidenziare l'icona a fiocco di neve
- Premere Enter per confermare
- Premere v o ^ per uscire da questa modalità e passare alla modalità manuale.



### Ottenere l'effetto fiamma desiderato

1. Sul telecomando premere MENU, FIRE lampeggia sul display, premere ENTER. L'impostazione corrente viene visualizzata. Premere ^ o v per passare da F1 a F6. F1 rappresenta l'impostazione più bassa, F6 l'impostazione più elevata.
2. Generalmente le fiamme appaiono più realistiche quando il controllo fiamma è basso.
3. Lasciar il tempo al generatore di fiamma di adeguarsi alle modifiche apportate.
4. La stufa utilizza meno acqua se l'effetto fiamma viene impostato su un livello basso.
5. Non inclinare o spostare la stufa quando c'è acqua nel serbatoio o nella vaschetta.
6. Assicurarsi che la stufa si trovi su una superficie piana.

### Personalizzazione del display

Il valore prefissato della temperatura massima sul prodotto è 32 °C. È possibile ridurre questo valore prefissato. È anche possibile passare da °C a °F

1. Premere il tasto Menu.
2. Premere due volte il tasto ADV - SP lampeggerà.
3. Premere Enter per confermare.
4. Premere v o ^ per scegliere tra °C o °F.
5. Premere Enter per confermare.
6. Premere v o ^ per scegliere il valore prefissato per la temperatura massima.
7. Premere Enter per confermare.
8. Premere BACK tre volte per tornare alla schermata principale.



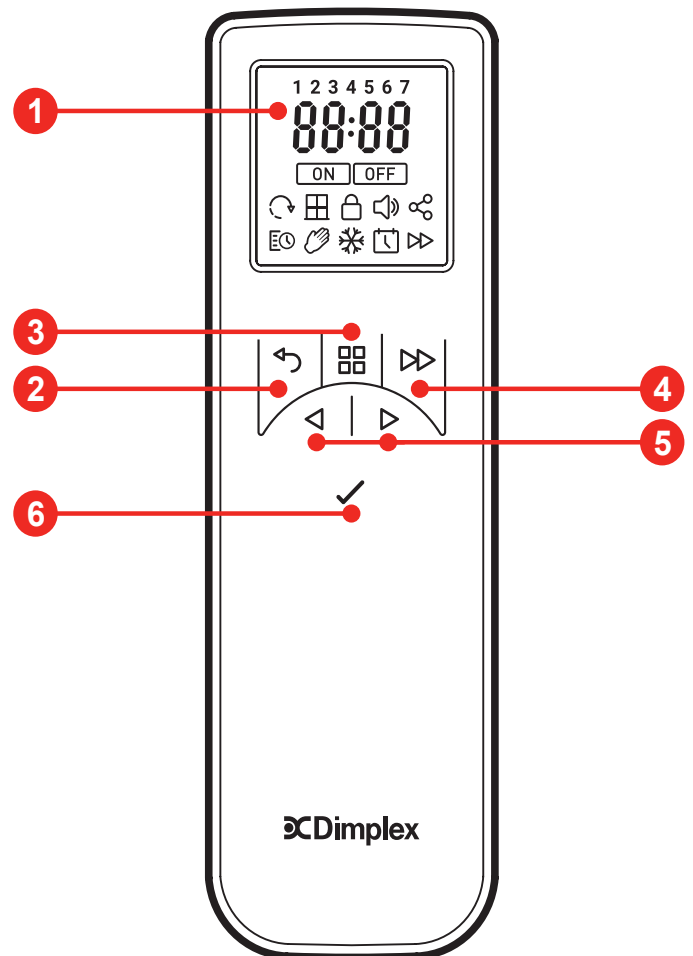
### Avvio adattabile

L'elettronica integrata in questa apparecchiatura dispone di una funzione di apprendimento relativa al tempo necessario per riscaldare una stanza. Sapendo quanto rapidamente può essere riscaldata la stanza, l'apparecchiatura è in grado di accendersi al momento giusto per rendere la stanza confortevole quando lo si desidera. Ad esempio, se ci si alza alle 7 del mattino, ci si chiede sempre a che ora è necessario accendere il riscaldamento per preriscaldare la stanza in tempo. In base al freddo esterno, la stanza potrebbe essere ancora fredda quando ci si alza, oppure essere riscaldata troppo presto rispetto al necessario. Avvio adattabile significa che se si selezionano 21 °C alle 7 del mattino, la stufa si accende esattamente nel momento giusto per raggiungere questa temperatura, entrando in funzione più tardi con una temperatura mite, e assicurando una temperatura piacevole e confortevole durante l'inverno.

La funzione Avvio Adattabile si attiva automaticamente quando si utilizza la Modalità Timer.

## Telecomando

- 1 Schermo display
- 2 Tasto "Back"
- 3 Tasto "Menu"
- 4 Tasto "Advance"
- 5 Frecche "Su e Giù"
- 6 Tasto "Enter"



**AVVERTENZA: SCOLLEGARE SEMPRE L'UNITÀ DALLA PRESA DI RETE PRIMA DI QUALSIASI INTERVENTO DI MANUTENZIONE**

**Installazione delle lampadine di ricambio.**

Se una grande quantità di fumo appare grigia o incolore, è possibile che una o più lampadine siano guaste.

Controllare se le lampadine sono guaste come riportato di seguito.

1. Lasciando attivo l'effetto fiamma, estrarre delicatamente il cassetto mediante la linguetta. (Vedere Fig. 3)
2. Osservare le lampadine da una certa distanza davanti alla stufa e capire quale lampadina deve essere sostituita.
3. Portare l'interruttore “A” in posizione “OFF” e scollegare la stufa dalla rete elettrica.
4. Lasciare l'apparecchiatura staccata per 20 minuti per permettere alle lampadine di raffreddarsi prima di rimuoverle.
5. Rimuovere il serbatoio dell'acqua sollevandolo verso l'alto e posizionarlo nel lavabo.
6. Rimuovere la vaschetta come descritto nella Sezione Pulizia.
7. Rimuovere la lampadina difettosa sollevandola delicatamente in direzione verticale e sfilandola dai contatti del porta lampadina, (Vedere Fig. 4 e 5), Sostituire con una lampadina colorata originale, angolo del fascio luminoso di 8°, attacco Gu5.3 da 12 V, 45 W. Acquistare le lampadine dal proprio fornitore
8. Inserire delicatamente i due perni della nuova lampadina nei due fori del portalampadina. Spingere saldamente in posizione. (Vedere Fig. 4 e 5).
9. Ricollocare la vaschetta e il serbatoio dell'acqua e chiudere delicatamente il cassetto.
10. Accendere.

**Riempire il serbatoio dell'acqua.**

Quando il serbatoio dell'acqua è vuoto, la fiamma e l'effetto fumo si spengono; vengono emessi 2 bip. Seguire i passaggi di seguito riportati per riempire:

1. Premere l'interruttore “A” per **(0)** (Vedere Fig. 2)
2. estrarre delicatamente il più possibile il cassetto mediante la linguetta. (Vedere Fig. 3)
3. Rimuovere il serbatoio dell'acqua sollevandolo ed estraendolo.
4. Sistemare il serbatoio dell'acqua nel lavabo e rimuovere il tappo girandolo in senso antiorario per aprire. (Vedere Fig. 6)
5. Riempire il serbatoio esclusivamente con **acqua di rubinetto con una durezza massima di 10 dH**. Ciò è necessario per allungare la vita della fiamma e dell'unità di produzione del fumo. Se la durezza dell'acqua è più elevata, è necessario filtrarla (ad esempio con un filtro Maxtra). **Non utilizzare un decalcificante.**
6. Riavvitare il tappo, **non stringere eccessivamente**.
7. Rimettere il serbatoio nella vaschetta, con il tappo del serbatoio rivolto verso il basso e il lato piatto del serbatoio rivolto verso l'esterno.
8. Spingere delicatamente il cassetto fino a fine corsa.
9. Premere l'interruttore “A” per impostare la posizione di “ON” (1) (Vedere Fig. 2)
10. Premere l'interruttore “B” una volta per accendere l'effetto fiamma. (Vedere la sezione dei comandi manuali e la Fig. 2)

**Pulizia.**

**AVVERTENZA – SCOLLEGARE SEMPRE L'UNITÀ DALLA PRESA DI RETE PRIMA DI ESEGUIRE LA PULIZIA DELLA STUFA.**

Si consiglia di pulire i seguenti componenti una volta ogni 2 settimane, soprattutto nelle aree in cui la durezza dell'acqua è elevata:

Serbatoio dell'acqua, Vaschetta e Guarnizione, Coperchio della vaschetta, Tappo del serbatoio e guarnizione, Filtro dell'aria.

Per la pulizia generale, utilizzare un panno morbido e pulito – Non utilizzare mai detergenti abrasivi. Per rimuovere l'eventuale accumulo di polvere o pilucchi, utilizzare occasionalmente la spazzola morbida dell'aspirapolvere per pulire la griglia di uscita del riscaldatore a ventola.

**Serbatoio dell'acqua**

1. Rimuovere l'acqua dal serbatoio, come descritto in precedenza, sistemare nel lavabo e svuotare l'acqua.
2. Utilizzando la spazzola fornita strofinare delicatamente le superfici interne del tappo prestando particolare attenzione all'anello in gomma nella scanalatura esterna e nella guarnizione di gomma centrale.
3. Versare una piccola quantità di sapone liquido per piatti nel serbatoio, riavvitare il tappo e scuotere bene, sciacquare fino alla completa assenza di sapone.
4. Riempire solo con acqua di rubinetto filtrata e rimettere il tappo, senza serrarlo eccessivamente.

**Vaschetta**

1. Premere l'interruttore “A” per impostare la posizione di “OFF” **(0)**
2. Estrarre delicatamente il cassetto il più possibile. (Vedere Fig. 3)
3. Rimuovere il serbatoio dell'acqua sollevandolo.

4. Scollegare il connettore elettrico situato sulla sinistra della vaschetta, allentando innanzitutto le due viti di fissaggio ed estraendo delicatamente il connettore. (Vedere Fig. 8)
5. Rilasciare le linguette di bloccaggio della vaschetta inferiore ruotandole di 90°; ciò consente di sollevare completamente la vaschetta dalla sua posizione. (Vedere Fig. 9)
6. Sollevare delicatamente il gruppo della vaschetta, facendo attenzione a mantenere il livello e non far fuoriuscire l'acqua. Sistemare il gruppo nel lavabo. (Vedere Fig. 10)
7. Rilasciare le due linguette di bloccaggio della vaschetta superiore ruotandole di 90°, quindi rimuovere il coperchio della vaschetta. (Vedere Fig. 11)
8. Inclinare delicatamente, come mostrato, in modo che il liquido fuoriesca dalla vaschetta. (Vedere Fig. 12)
9. Versare una piccola quantità di detergente per stoviglie nella vaschetta e, mediante la spazzola in dotazione, pulire delicatamente tutte le superfici, incluso il disco metallico e la guarnizione in gomma situata sulla superficie scanalata superiore. **Non rimuovere le guarnizioni in gomma.** (Vedere Fig. 13 e 14).
10. Una volta pulite, risciacquare accuratamente la vaschetta con acqua corrente.
11. Pulire la superficie esterna del coperchio della vaschetta con la spazzola e risciacquare a fondo con acqua. (Vedere Fig. 15 e 16)
12. Per rimontare seguire la procedura inversa.

#### **Filtro dell'aria.**

1. Premere l'interruttore "A" per impostare la posizione di "OFF" (0) "OFF" (Vedere Fig. 2)
2. Estrarre delicatamente il cassetto il più possibile. (Vedere Fig. 3)
3. Rimuovere il serbatoio e metterlo in un lavabo con il tappo rivolto verso l'alto.
4. Far scorrere delicatamente verso l'alto il supporto in plastica del filtro dell'aria. (Vedere Fig. 17)
5. Rimuovere il filtro dal supporto in plastica.
6. Risciacquare delicatamente con acqua nel lavabo e asciugare con un panno in tessuto prima di rimontarlo.
7. Sostituire il filtro assicurandosi che il filtro grossolano nero sia in contatto con il supporto in plastica. (Vedere Fig. 18)
8. Sostituire il serbatoio.
9. Chiudere completamente il cassetto.
10. Premere l'interruttore "A" per portarlo in posizione di "ON" (I) (Vedere Fig. 2)

### Informazioni supplementari

#### **Smaltimento.**



Per i prodotti elettrici venduti nell'ambito dell'Unione Europea. Al termine del ciclo di vita utile, i prodotti elettrici non devono essere smaltiti con i normali rifiuti urbani. Effettuare lo smaltimento presso le apposite strutture. Verificare presso il proprio ente locale o rivenditore come smaltire il prodotto nel paese di residenza.

#### **Assistenza post-vendita.**

Il prodotto è garantito per la durata di un anno dalla data di acquisto. Entro questo periodo sarà nostra cura riparare o sostituire gratuitamente il prodotto (con l'esclusione delle lampade e secondo disponibilità), a condizione che sia stato installato e utilizzato in conformità con le presenti istruzioni. Nel caso sia necessaria l'assistenza post-vendita o l'acquisto di parti di ricambio, rivolgersi al rivenditore presso cui è stata acquistata l'apparecchiatura oppure contattare il numero di assistenza relativo al proprio paese e riportato sulla scheda di garanzia. Si prega di non restituirci subito il prodotto difettoso, in quanto ciò potrebbe causare perdita o danni, nonché ritardi nel fornire un servizio di assistenza soddisfacente.

Conservare la ricevuta/scontrino come prova di acquisto.

## Risoluzione dei problemi

Sintomo	Causa	Soluzione
L'effetto fiamma non si avvia.	<p>La presa non è collegata.</p> <p>L'interruttore "A" è in posizione "ON" ( I ) ma non è stato premuto l'interruttore "B". (Vedere Fig. 2)</p> <p>Livello acqua basso.</p> <p>Il connettore a bassa tensione non è collegato correttamente. (Vedere Fig. 8)</p>	<p>Verificare che la spina sia collegata adeguatamente alla presa a parete.</p> <p>Premere una volta l'interruttore B per l'effetto fiamma. (Vedere Fig. 2)</p> <p>Verificare che il serbatoio dell'acqua sia pieno e che vi sia acqua nella vaschetta.</p> <p>Verificare che il connettore sia inserito adeguatamente. (Vedere Fig. 8)</p>
L'effetto fiamma è troppo basso.	<p>L'effetto fiamma è impostato su un livello troppo basso.</p> <p>Il livello dell'acqua nella vaschetta potrebbe essere troppo elevato a causa di numerose aperture e chiusure del cassetto, numerose rimozioni del serbatoio dell'acqua o spostamento della stufa.</p> <p>Il disco di metallo alla base della vaschetta potrebbe essere sporco (Vedere Fig.13).</p>	<p>Aumentare il livello della fiamma con il telecomando. (Vedere la Sezione Utilizzo del prodotto)</p> <p>Se il livello dell'acqua nella vaschetta è superiore ai 40 mm, la vaschetta deve essere rimossa e svuotata nel lavabo.</p> <p>Pulire il Disco di Metallo con la spazzola morbida fornita. (Vedere Fig.13) Vedere "Manutenzione" per una procedura passo-passo.</p>
Odore sgradevole durante l'utilizzo dell'unità.	Acqua sporca o stantia.	<p>Pulire l'unità come descritto nella sezione sulla manutenzione.</p> <p>In questa apparecchiatura utilizzare esclusivamente acqua di rubinetto con durezza massima di 10 dH.</p>
L'effetto fiamma produce troppo fumo.	L'impostazione dell'effetto fiamma è troppo elevata.	<p>Portare la rotella zigrinata "D" dell'effetto fiamma al minimo e aumentare lentamente l'impostazione di circa ¼ di giro alla volta. Lasciare al generatore di fiamma il tempo di regolazione necessario prima di aumentarla. (Vedere Fig. 2)</p>
Le lampadine principali non funzionano e non ci sono fiamme nè fumo.	Non c'è acqua nel serbatoio.	<p>Seguire le istruzioni nella sezione "<b>Manutenzione</b>", "Riempire il serbatoio dell'acqua".</p> <p>Verificare che la spina sia collegata adeguatamente alla presa a parete.</p> <p>L'interruttore "A" Fig. 2 è in posizione "ON" ( I ).</p> <p>Premere l'interruttore "B" Fig. 2 finché non si avverte un solo segnale acustico, per l'effetto fiamma.</p>
Condensa sul vetro	<p>L'impostazione di condensa è troppo elevata</p> <p>Il vetro potrebbe essere freddo durante l'avvio del prodotto</p>	<p>Ridurre l'intensità di condensa ruotando la rotella zigrinata "D"</p> <p>Ridurre al minimo l'intensità di condensa e portare l'interruttore "C" su alta velocità. Azionare il prodotto con questa impostazione finché il vetro non si disappanna, quindi tornare all'impostazione preferita.</p> <p>Ripetere questa procedura nel caso si formi di nuovo la condensa</p>

**VIKTIG! DISSE INSTRUKSJONENE BØR LESES NØYE OG OPPBEVARES FOR FREMTIDIG BRUK**

Ved bruk av elektriske apparater bør grunnleggende forholdsregler følges for å redusere faren for brann, elektriske støt og personskader, herunder følgende:

Er apparatet skadet, skal du rådføre deg med leverandøren før installering og bruk.

Skal ikke brukes utendørs.

Skal ikke brukes i nærheten av badekar, dusj eller svømmebasseng.

Apparatet skal ikke plasseres rett under en fast stikkontakt eller koplingsboks.

Dette apparatet kan brukes av barn fra 8 år og oppover og personer med reduserte fysiske, sensoriske eller mentale evner eller manglende erfaring og kunnskap om de er gitt innføring eller instruksjoner om bruken av apparatet på en sikker måte og forstår farene involvert. Barn må ikke leke med apparatet. Apparatet må ikke rengjøres og vedlikeholdes av barn hvis de ikke er under oppsyn.

Barn under 3 år skal holdes borte dersom de ikke blir overvåket kontinuerlig. Barn mellom 3 og 8 år skal bare slå på/av apparatet, forutsatt at det er plassert eller installert i den tiltenkte normale driftsposisjonen, og de har fått tilsyn eller instruksjoner om bruk av apparatet på en trygg måte og forstår farene involvert. Barn mellom 3 og 8 år må ikke plugge inn, regulere og rengjøre apparatet eller utføre vedlikehold.

Apparatet skal ikke koples i serie med varmeregulator, programregulator, tidsbryter eller annet utstyr som slår på varmen automatisk, på grunn av brannfaren hvis apparatet ved et uhell skulle bli tildekket eller forflyttet.

Dette apparatet er ikke utstyrt med en enhet som regulerer romtemperaturen. Bruk derfor ikke apparatet i små rom når det befinner seg personer i rommet som ikke er i stand til å forlate rommet på egen hånd, med mindre kontinuerlig tilsyn er gitt.

Sørg for at apparatet har en avstand på minst 1 meter til møbler, gardiner og annet brennbar materiale.

Trekk ut støpselet fra stikkontakten hvis det skulle oppstå feil.

Trekk ut apparatet hvis det ikke skal brukes på en stund.

Selv om dette apparatet er i overensstemmelse med sikkerhetsstandardene, anbefaler vi ikke at det brukes på tykke tepper som loer eller langhårede tepper.

Apparatet skal plasseres slik at støpselet er tilgjengelig.

Dersom strømledningen er skadd, må den byttes av produsenten, serviceagenten eller en lignende kvalifisert person for å unngå farer.

Hold strømledningen borte fra forsiden av varmeapparatet.

**Advarsel!** For å unngå overoppheting må ikke apparatet tildekkes. Legg ikke brennbare materialer eller plagg på apparatet, og sørg for at luftsirkulasjonen rundt apparatet ikke hindres, for eksempel med gardiner eller møbler, fordi dette kan føre til overoppheting og fare for brann.

**Advarsel!** For å unngå farlige situasjoner som følge av utilsiktet nullstilling av utkoplingsfunksjonen for overoppheting, er det viktig at dette apparatet ikke tilføres strøm gjennom en ekstern bryterenhet, for eksempel en tidsbryter, eller koples til en krets som regelmessig slås av og på av elektrisitetsverket.

**FORSIKTIG** – noen deler av produktet kan bli veldig varme og forårsake brannskader. Det er spesielt viktig å følge med når barn og sårbare personer er til stede.

## Generell informasjon

Pakk varmeovnen forsiktig ut og ta vare på emballasjen i tilfelle det skulle bli nødvendig å transportere varmeovnen eller returnere den til leverandøren. Fjernkontrollen, batteriene og lampene er pakket separat i kartongen.

Denne peisinnsetningen har en innebygd flammeeffekt som kan brukes med eller uten varme, slik at peiskosen kan nytes når som helst på året. Bruk av bare flammeeffekten krever svært lite strøm.

Før varmeapparatet koples til, skal du kontrollere at nettspenningen stemmer overens med den som er angitt på varmeapparatet.

Merk: Hvis det er svært lite bakgrunnsstøy i rommet der varmeapparatet brukes, kan det være mulig å høre viften som styrer flammeeffekten. Dette er normalt, og gir ingen grunn til bekymring.

### Elektrisk tilkøpling.

#### ADVARSEL – DETTE APPARATET MÅ JORDES.

Varmeovnen skal bare brukes med nettstrøm, og nettspenningen skal stemme overens med den som er angitt på ovnen. Les sikkerhetsinformasjonen og anvisningene for bruk før varmeapparatet slås på.

#### TA VARE PÅ DENNE BRUKERVEILEDNINGEN FOR FREMTIDIG BRUK

Ikke legg plastkomponenter inn i en oppvaskmaskin.

Bare gli ut skuffen når vanntanken må fylles eller en lampe må byttes, ellers vil du utilsiktet endre vannstanden og flammeeffekten.

Bare bruk vann fra springen med en maksimal hardhet på 10 dH.

Sørg alltid for at apparatet står på et jevnt gulv.

Hvis apparatet ikke skal brukes på over to uker, må vannet tappes ut fra sumpen og vanntanken, og bunnen tørkes.

Når produktet er montert, må du aldri flytte apparatet eller legge det på ryggen uten at du først tømmer ut vannet fra bunnen og vanntanken.

Vanntanken, bunnen, lokket på bunnen, lokket på tanken og luftfiltre må rengjøres hver fjortende dag, spesielt i området med hardt vann

Apparatet bør aldri brukes hvis ikke lampene fungerer.

Lampene skal inspiseres regelmessig som beskrevet under 'Vedlikehold' og 'skifte av lamper'.

### Teknisk informasjon

Modellnr.: 3 Step E

Varmeeffekt		230V	240V	
Nominell varmeeffekt	$P_{\text{Nom}}$	0.9	1.0	kW
Minimum varmeeffekt	$P_{\text{min}}$	0.9	1.0	kW
Maksimum kontinuerlig varmeeffekt	$P_{\text{maks}}$	0.9	1.0	kW
Ekstra elforbruk				
I standby-modus	$P_{\text{Nom}}$	0.87	0.93	W

elektronisk romtemperatur-kontroll, pluss uke-tidtager

## Installasjonsveiledning

3-Step kan endres for å passe til tre ulike stiler, Tripple (glass på tre sider), Duet (glass på to sider) og Telax (bare frontglass). Produktet leveres som Relax. For å endre modell fester du sugekoppene til frontglasset og løfter det opp, og deretter ned og bort fra produktet, se fig. 3a. Ta av gumminoren nederst og øverst på innsiden av glasset. Skyv side-metallplaten og sideglasset ut sammen, se fig. 3b. Skill sideglasset, og sett det tilbake på plass. Bruk den store gumminoren til å holde sideglasset på plass, som vist i instruksjonspakken. Sett frontglasset på plass ved å gjenta trinnene ovenfor i omvendt rekkefølge. Bruk sugekoppene til å justere sideglasset slik at både front- og sideglasset passer korrekt. Sørg for at det er en åpning på 300 mm mellom toppen av peisen og undersiden av f.eks. en hylle.

**Veggmontering:** Bygg en plattform som enheten kan plasseres på. Ved bruk av dimensjonene i fig.1, monter veggbrakettforsyningen nivållert og i passende posisjon på veggen med fire passende fester for veggen din. La to personer holde peisen i sidene og manøvrer den forsiktig i posisjon, deretter heng peisen i veggbraketten. Apparatet har fire justerbare støtter på undersiden for nivellering, der basen av peisåpningen er hevet over plattformnivået. Sikre at det er en luftåpning når du konstruerer en peis med frontfasade. Se fig. 21. Dette er viktig for flammeeffekten. Sikre også at produktet har ventilering på toppen, dette er viktig for riktig funksjon av oppvarmingsenheten. Se fig. 20.

### Før peisen installeres, anbefaler vi at:

1. Velg hvilken 3-step-stil du vil ha, og foreta de nødvendige justeringene av apparatet.
2. Du får skorsteinen renses av en kompetent feier.
3. Du blokkerer av skorsteinen.

Denne fremgangsmåten er viktig for effektiv drift av oppvarmingsenheten, og vil også redusere varmetap opp gjennom skorsteinen.

### Montering.

**Sørg for at alle delene fjernes fra emballasjen (les eventuelle varselmerker nøye).**

**Ta vare på all emballasje for fremtidig bruk, hvis du skal flytte eller returnere apparatet til leverandøren.**

Du er nå klar til å installere den elektriske peisen. Pass på at enheten er skrudd **OFF (av)**.

Bruk korrekte festeelementer for å feste braketten til veggen. Koble peisinnsatsen til en veggkontakt med 13 amp / 240 volt. Påse at tilførselskabelen kommer ut på forsiden av peisen, i høyre eller venstre hjørne som passer din forsyning i sokkelen, og ikke blir fanget under peisen slik at den kan føre til at den kan bli skadet.

**Før du bruker de manuelle kontrollene, må du først fylle vanntanken (les "Vedlikehold", "Fyller vanntanken").**

## Bruk av peisen

ADVARSEL! UNNLATELSE AV Å FØLGE DENNE BRUKSANVISNINGEN KAN RESULTERE I PERSONSKADE.


### Manuelle kontroller


Du finner de manuelle kontrollene til Opti-myst nederst på apparatet.

(Se fig. 2 hvis du vil ha informasjon om hvordan de manuelle kontrollene er plassert)

Bryter "A": – kontrollerer strømtilførselen til peisinnsatsen.

Merk: Denne bryteren må være i 'ON' (PÅ)-posisjonen for at peisen skal fungere med eller uten varme når aktivert.

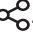
Bryter "B": – Trykk  en gang for å slå på flammeeffekten. Dette indikeres av et hørbart "pip". Selv om strømlampen aktiveres umiddelbart, tar det ytterligere 45 sekunder før flammeeffekten starter.

Trykk  for å sette peisen i standby-modus. Dette indikeres av ett "pip".

### Fjernkontroll

Fjernkontrollen er pakket med 2 AA-batterier i en væske. Løft av batteriet på baksiden av fjernkontrollen og sett inn batteriene med riktig korresponderende polaritet.

Fjernkontrollen er allerede paret til produktet under fabrikkmonteringen. Hvis fjernkontrollen mot formodning skulle kobles fra produktet, eller du anskaffer en ekstra fjernkontroll, må du fullføre paringsprosessen:

1. Når produktet er tilkoblet, slå bryter A til ON (PÅ) (I). Du skal høre et lydsignal
2. Hold inne 'knapp 6' inntil PAIR (PAR) vises på skjermen
3. Ta fjernkontrollen nær produktet der mottakeren sitter . Se fig. 3C
4. Produktet gir fra seg et lydsgnal og blinker
5. Trykk 'knapp 6' for å fullføre paringsprosessen. Produktet settes i ventemodus.

Slå på apparatet

Trykk og hold ENTER-knappen i tre sekunder for å aktivere fjernkontrollen. FIRE vises og ON blinker. Trykk på ENTER for å slå på apparatet. For å slå på apparatet, trykk på MENU slik at FIRE blinker. Trykk på ENTER to ganger.

### Juster flammeinnstillingen

Trykk én gang med fjernkontrollen aktivert. FIRE blinker på displayet. Trykk ENTER. Den aktuelle flammeinnstillingen vises F1-F6. Trykk på knappene UP og DOWN for å justere innstillingen. Etter at du har valgt flammeinnstillingen, trykk på BACK to ganger for å gå ut av menyen og returnere til startskjermen.

### Slå på varmen

Trykk MENU én gang med fjernkontrollen aktivert. FIRE blinker på displayet. Trykk på ADV én gang, HEAT blinker. Trykk på ENTER. Den aktuelle varmeinnstillingen vises som OFF LO HI. Trykk på knappene UP og DOWN for å justere innstillingen. Trykk på ENTER etter å ha valgt flammeinnstillingen.

### Stille inn termostaten

Temperaturen som vises på displayet er romtemperaturens settpunkt. Denne temperaturen opprettholder oppvarmingsenheten under oppvarmingsperiodene. Oppvarmingsenheten fungerer ikke når romtemperaturen er over denne temperaturen. Oppvarmingsenheten sendes fra fabrikk med denne temperaturen satt til 15 °C som representerer en typisk komfortabel romtemperatur. Hvis du krever en annen romtemperatur, trykk enten opp eller ned på startskjermen til displayet viser temperaturen du ønsker.

### Utkopling ved overoppheting

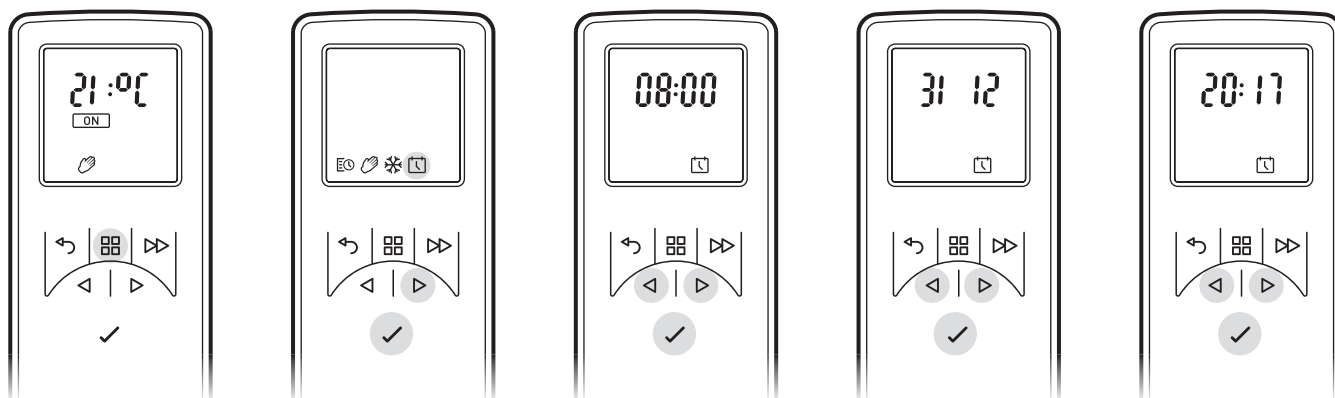
En utkoblingsfunksjon for overoppheting er innebygd i varmeapparatet for å hindre skader på grunn av overoppheting. Dette kan skje hvis varmeutgangen ble hindret på en eller annen måte. Hvis utkoblingsfunksjonen er aktiv, må du koble varmeapparatet fra veggkontakten og vente i omtrent ti minutter før du kobler den til igjen. Før du skrur på varmeapparatet på nytt, må du fjerne alle hindringer som kan hindre varmeavledningen og deretter fortsette vanlig bruk.

**FORSIKTIG:** For å unngå farlige situasjoner som følge av utilsiktet nullstilling av utkoblingsfunksjonen for overoppheting, er det viktig at denne enheten ikke tilføres strøm gjennom en ekstern bryterenhet, for eksempel en tidsbryter, eller koples til en bryter som regelmessig slås av og på av elektrisitetsverket.

### Innstilling av dato og tid

For å sette dato og tid på oppvarmingsenheten;

1. Trykk på Menu-knappen
2. Trykk på knappen ^ fire ganger
3. Trykk på Enter når dato og tid-ikonet blinker
4. Trykk på Enter for å sette tiden
5. Trykk på v og ^ for å sette time, trykk på Enter
6. Trykk på v og ^ for å sette minutter, trykk på Enter for å bekrefte tiden
7. Trykk på v og ^ for å sette dag, trykk på Enter
8. Trykk på v og ^ for å sette måned, trykk på Enter
9. Trykk på v og ^ for å sette år, trykk på Enter for å bekrefte dato



### Eksterne driftsmodi

**Bruker-tidtaker:** Gir brukeren best fleksibilitet. Fire tidsinnstillinger er tilgjengelige i løpet av dagen og disse kan tilpasses for hver ukedag. Se 'Slik justerer du tidtakermodi' for anvisning om hvordan du justerer disse fra fabrikkens standard tidsperioder og temperaturer.

**Manuell modus:** Denne modusen varmer opp rommet til temperaturen du har satt med fjernkontrollen.

**Frostbeskyttelse:** Denne modusen opprettholder en romtemperatur ved 7 °C. Denne modusen skal brukes til å gi beskyttelse mot frost som indikert av frostikonet.

### Velge og stille inn en modus

**Bruker-tidtaker –** For å reprogrammere fabrikkens standard tidtaker-modi:

1. Trykk på Menu-knappen
  2. Trykk på ^ én gang når planlegg-ikonet blinker. Trykk på Enter
  3. Trykk på ^ to ganger, deretter trykk på Enter
- \*Ukedagene vises nå øverst på skjermen\*

- Dag 1 = Mandag
- Dag 2 = Tirsdag
- Dag 3 = Onsdag
- Dag 4 = Torsdag
- Dag 5 = Fredag
- Dag 6 = Lørdag
- Dag 7 = Søndag



4. Trykk på Enter for å endre Dag 1 eller trykk på ^ for å navigere til ønsket dag og trykk på Enter for å velge
5. P1 vises på skjermen
6. Trykk på Enter for å velge P1, for å navigere til P2, P3 eller P4 trykk på ^ og trykk på Enter for å velge
7. ON utheves, trykk på Enter for å sette på-tiden
8. Trykk på v eller ^ for å justere på-time, trykk på Enter for å bekrefte
9. Trykk på v eller ^ for å justere på-minutt, trykk på Enter for å bekrefte
10. Trykk på v eller ^ for å justere temperaturinnstillingen, trykk på Enter for å bekrefte
11. Trykk på v eller ^ for å justere av-time, trykk på Enter for å bekrefte
12. Trykk på v eller ^ for å justere av-minutt, trykk på Enter for å bekrefte

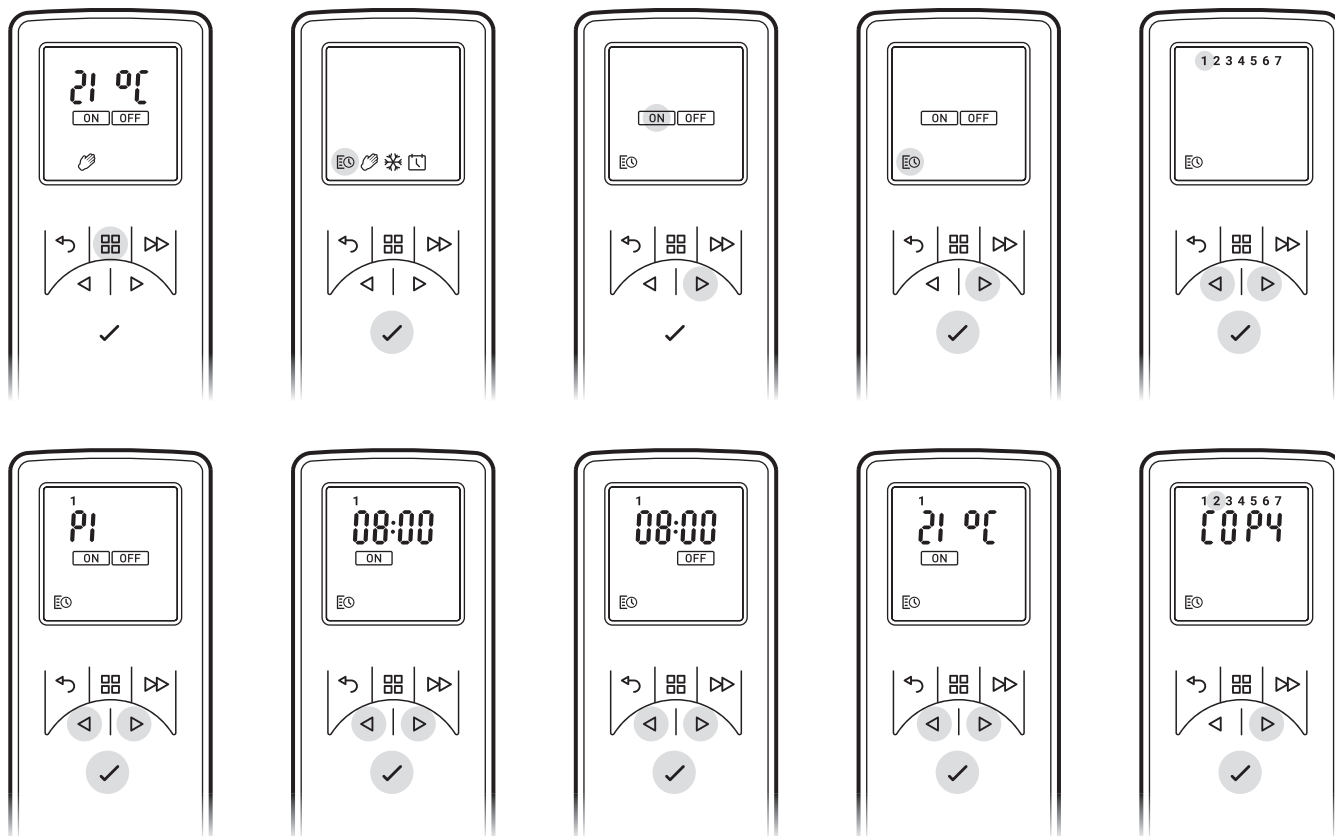
Trykk på Enter for å endre program P2, følg trinnene 5–12, trykk på ^ for å hoppe til P3  
 Trykk på Enter for å endre program P3, følg trinnene 5–12, trykk på ^ for å hoppe til P4  
 Trykk på Enter for å endre program P4, følg trinnene 5–12

For å kopiere nylig programmerte oppvarmingsprogrammer P1-P4 til andre dager, trykk på Enter-knappen.

Copy vises på skjermen

For å kopiere til neste dag i sekvensen, trykk på knappen ^. For å velge bort neste dag i sekvens, trykk på knappen Enter.

De valgte ukedagene vises øverst på skjermen. Dagene som har blitt valgt bort vil ikke være synlige (se diagrammene).  
 Trykk på Enter for å bekrefte, bakgrunnsbelysningen blinker og returner til startskjermen.

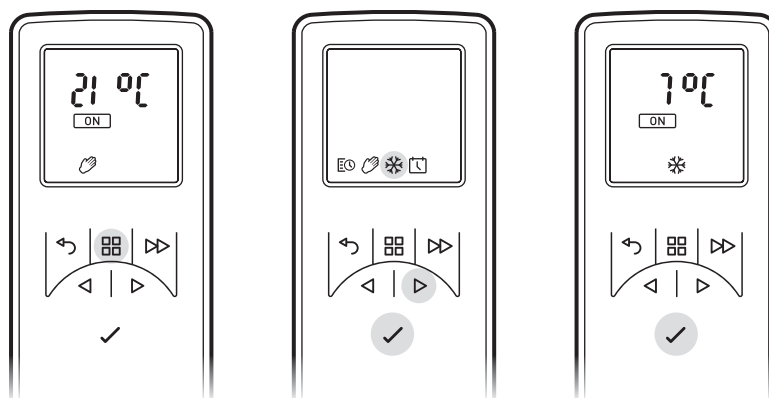


Manuell modus - For å velge en konstant oppvarmingsmodus. Denne modusen ignorerer bruker-tidtakeren og opprettholder den viste temperaturen.

- Trykk på Menu-knappen
- Trykk på ^ to ganger for å utheve håndikonet
- Trykk på Enter for å bekrefte
- Bruk v og ^ for å justere til ønsket temperatur

Frostbeskyttelse - Frostbeskyttelse-modus opprettholder en romtemperatur på 7 °C i løpet av en 24-timersperiode. Denne modusen skal brukes for å gi beskyttelse mot frost som indikert av frostikonet.

- Trykk på Menu-knappen
- Trykk på ^ tre ganger for å utheve snøfnugg-ikonet
- Trykk på Enter for å bekrefte
- Trykk på v eller ^ for å avslutte denne modusen og gå inn på manuell modus.



### Få ønsket flammeeffekt

1. Ved bruk av fjernkontrollen, trykk på MENU, FIRE på displayet blinker, trykk på ENTER. Den aktuelle innstillingen vises. Trykk på ^ eller v for å veksle mellom F1 og F6. F1 er den laveste innstillingen og F6 er den høyeste innstillingen.
2. Vanligvis virker flammene mer realistiske når flammekontrollen er skrudd ned.
3. Gi flammegeneratoren litt tid til å reagere på endringene du gjør.
4. Brannen vil bruke mindre vann hvis flammeeffekten er satt til et lavere nivå.
5. Du må ikke bikke eller flytte peisinnsatsen når det er vann i tanken eller i bunnen.
6. Påse at peisen plasseres på et flatt underlag.

### Tilpasse displayet

Maksimum settpunkt for temperatur på produktet er 32 °C. Du kan redusere dette settpunktet. Du kan også endre °C til °F

1. Trykk på Menu-knappen.
2. Trykk på ADV-knappen to ganger – SP blinker.
3. Trykk på Enter for å bekrefte.
4. Trykk på v eller ^ for å velge mellom °C og °F.
5. Trykk på Enter for å bekrefte.
6. Trykk på v eller ^ for å velge maksimum settpunkt for temperatur.
7. Trykk på Enter for å bekrefte.
8. Trykk på BACK tre ganger for å returnere til startskjermen.

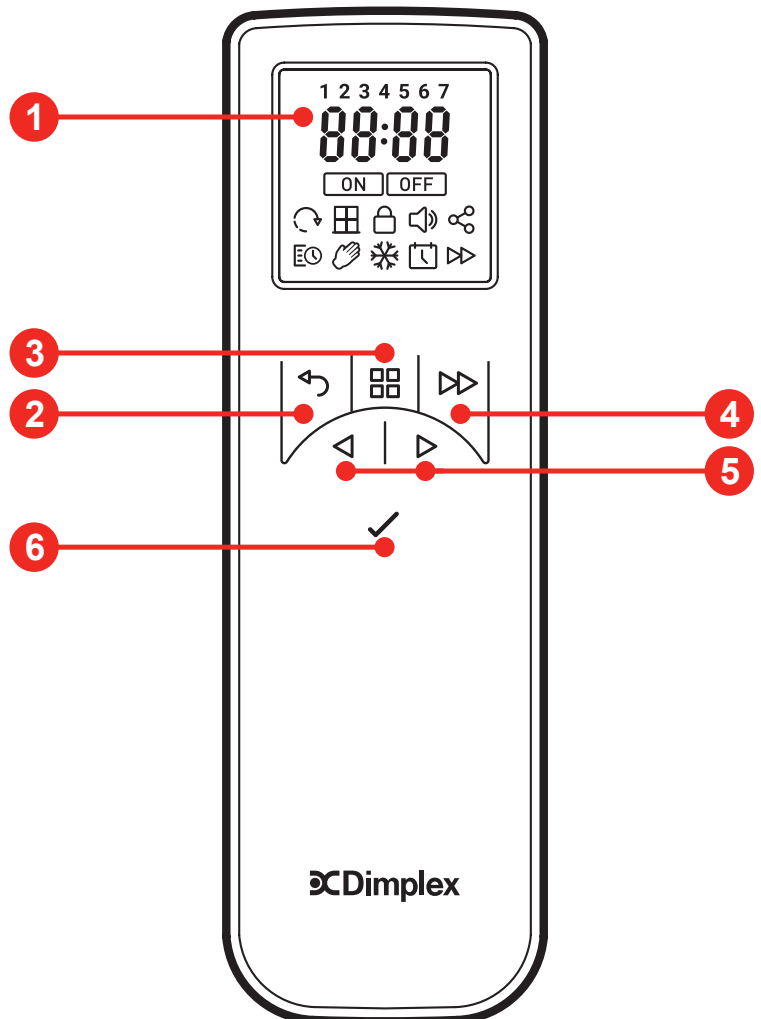
### Adaptiv start

Den innebygde elektronikken i dette apparatet har en lærefunksjon vedrørende nødvendig tid for oppvarming av et rom. Etter ha lært nødvendig tid for oppvarming av rommet ditt, kan apparatet slå seg på til korrekt tid for å kunne oppnå ønsket, komfortabel romtemperatur. Hvis du f.eks. står opp kl. sju på morgenen, ville du normalt måtte gjette når du måtte slå på oppvarmingen for å oppnå ønsket romtemperatur i tide. Avhengig av temperaturen utendørs, kan dette bety at rommet fremdeles er kaldt når du står opp fra sengen, eller at det har vært varmt én time for tidlig. Adaptiv stat betyr at dersom du velger 21 °C klokka sju på morgenen, vil oppvarmingsenheten slå seg på til korrekt tid for å kunne møte målet, kjøre i kortere perioder i mildt vær, og sikre at rommet er godt og varmt om vinteren.

Den adaptive startfunksjonen aktiveres automatisk når du bruker tidtaker-modusen.

### Fjernkontroll

- 1 Display-skjerm
- 2 'Back'-knapp
- 3 'Menu'-knapp
- 4 'Advance'-knapp
- 5 'Opp og ned'-piler
- 6 'Enter'-knapp



**ADVARSEL! KOBLE ALLTID FRA STRØMMEN FØR EVENTUELT VEDLIKEHOLD****Bytte av lyspærer.**

Hvis mye røyk ser grå eller fargeløs ut, kan det hende at én eller flere pærer har gått.

Du kan sjekke om pærer har gått på følgende måte.

1. La flammeeffekten være på, og trekk skuffen varsomt ut etter fliken. (Se fig. 3).
2. Se på pærene fra litt avstand når du står foran peisinnstansen, og se hvilken pære som må byttes ut.
3. Sett bryteren "A" i "AV"-posisjon og koble peisinnstansen fra nettstrømmen.
4. La apparatet være avslått i 20 minutter slik at pærene kan kjøle seg ned før du tar dem ut.
5. Ta ut vanntanken ved å løfte oppover og legg den i en utslagsvask.
6. Ta av bunnen slik det er beskrevet i avsnittet Renhold.
7. Ta ut den ødelagte pæren ved å løfte den forsiktig ut rett opp og koble pinnene fra sokkelen (se fig. 4 og 5). Erstatt med original, farget pære på 12V, 45w, med Gu5.3 base, 8° strålevinkel. Lyspærene kjøpes fra forhandleren.
8. Sett forsiktig de to pinnene på den nye pæren inn i de to hullene på lampesokkelen. Skyv godt på plass. (Se fig. 4 og 5).
9. Sett bunnen og vanntanken tilbake på plass og lukk skuffen varsomt.
10. Skru på.

**Fylle på vanntanken.**

Når vanntanken er tom, kobles flamme- og røykeffekten ut, og du vil høre to pipelyder. Følg disse trinnene for å fylle den igjen:

1. Sett bryter "A" til **(0)** (Se fig. 2)
2. Trekk skuffen så langt ut som mulig med fanen. (Se fig. 3)
3. Ta ut vanntanken ved å løfte den opp og ut.
4. Legg vanntanken i en utslagsvask og ta av hetten, skru den mot urviseren for å åpne den. (Se fig. 6)
5. Fyll tanken med **vann fra springen med en maksimal hardhet på 10 dH**. Dette er nødvendig for at enheten som produserer flammer og røyk skal vare lenger. I situasjoner med høyere vannhardhet, bør vannet filtreres (for eksempel med et Maxtra-filter). **Ikke bruk en avkalker.**
6. Skru på hetten igjen, **stram ikke for mye.**
7. Sett tanken tilbake i bunnen slik at hetten på tanken peker ned og den flate siden av tanken peker utover.
8. Skyv skuffen tilbake så langt den går.
9. Sett bryter "A" i "ON" (**AV**)-posisjonen (se fig. 2)
10. Trykk på bryteren "B" en gang for å slå på flammeeffekten. (Se avsnittet Manuell kontroll og fig. 2)

**Rengjøring.****ADVARSEL – KOPLE ALLTID FRA STRØMMEN FØR RENGJØRING AV OPPVARMINGSENHETEN.**

Vi anbefaler at du rengjør følgende deler én gang hver fjortende dag, spesielt i området med hardt vann –

Vanntank, bunn og pakning, bunnlokk- og forsegling, luftfilter.

Bruk en myk, ren støvklut til vanlig rengjøring. Bruk aldri rengjøringsmidler med slipeeffekt. Støv og lo som har samlet seg på avtrekksgitteret til varmeviften, kan fjernes ved hjelp av den myke børsten på støvsugeren.

**Vanntanken**

1. Ta ut vanntanken slik det ble beskrevet tidligere, legg den i en utslagsvask og tøm den for vann.
2. Bruk den medfølgende børsten til forsiktig å gni på innsiden av hetten, og vær spesielt omhyggelig med gummiringen i det ytre sporet og gummiforseglingen i midten.
3. Legg litt oppvaskmiddel og vann i tanken, sett på hetten og rist godt. Skyll godt slik at du får ut alt oppvaskmiddelet.
4. Fyll opp med filtrert springvann, sett tilbake hetten, men pass på at du ikke overstrammer.

**Bunn**

1. Sett bryter "A" i "OFF"- **(0)** posisjonen
2. Trekk forsiktig skuffen ut så langt som mulig. (Se fig. 3)
3. Ta ut vanntanken ved å løfte den opp.
4. Koble fra den elektriske kontakten, som ligger på venstre side av bunnen, ved å først løsne de to festeskruene og trekk forsiktig i kontakten. (Se fig. 8)
5. Frigjør låsetappene på bunnen ved å vri dem 90°, dermed kan bunnen tas helt ut. (Se fig. 9)
6. Løft forsiktig opp bunnen, og pass på at du holder den i vater slik at du ikke søler ut noe vann. Legg bunnen i en utslagsvask. (Se fig. 10)
7. Frigjør de øvre låsetappene ved å vri dem 90°, deretter løfter du av bunnlokket. (Se fig. 11)
8. Vri bunnen forsiktig slik som vist, slik at væsken renner ut. (Se fig. 12)
9. Hell litt oppvaskmiddel i bunnen og bruk den medfølgende børsten til forsiktig å rengjøre alle overflater inkludert metallplaten og gummiforseglingen som sitter i sporet øverst. **Ikke fjern gummipakningene.** (Se fig. 13 og 14)
10. Når bunnen er rengjort, må du skylle den nøye med rent vann.


11. Rengjør overflaten på avløpet til bunnen med børsten og rengjør grundig med vann. (Se fig. 15 og 16)
12. Gjenta trinnene ovenfor i motsatt rekkefølge for å montere på nytt.

#### Luftfilter.

1. Sett bryter "A" i "OFF"- (0) posisjonen (Se fig. 2)
2. Trekk forsiktig skuffen ut så langt som mulig. (Se fig. 3)
3. Fjern tanken og legg den i en vask med hetten vendt oppover.
4. Forsiktig gli luftfilterets plastholder oppover. (Se fig. 17)
5. Fjern filterkombinasjonen fra plastholderen.
6. Skyll forsiktig med vann i utslagsvasken og tørk med et kjøkkenhåndkle før du setter den på plass igjen.
7. Skift ut filterkombinasjonen for å sørge for at det svarte filteret er i kontakt med plastholderen. (Se fig. 18)
8. Bytt tanken.
9. Lukk skuffen helt.
10. Sett bryter "A" i "ON"- (AV)-posisjonen (se fig. 2)

## Tilleggsinformasjon

#### Resirkulering.

 Gjelder elektriske produkter som selges innen EU. Når elektriske produkter skal kasseres etter endt bruk, skal de ikke kastes sammen med husholdningsavfall. Send dem til resirkuleringsanlegg der slike finnes. Forhør deg med lokale myndigheter eller forhandleren om resirkulering i ditt land.

#### Kundeservice.

Enheten har garantidekning i ett år etter kjøpsdato. Innenfor denne perioden vil vi kostnadsfritt utføre reparasjon på eller skifte ut enheten (med unntak av lamper, og avhengig av tilgjengelighet) så sant den har blitt installert og brukt i samsvar med disse anvisningene. Hvis du skulle få behov for kundeservice eller reservedeler, ber vi deg kontakte leverandøren som du kjøpte enheten fra, eller benytte det relevante servicenummeret for ditt land på garantikortet. Et defekt produkt skal ikke returneres til oss i første omgang, ettersom dette kan føre til tap eller skade og forsinkelser mens vi forsøker å gi deg tilfredsstillende service. Oppbevar kvitteringen som kjøpsbevis.

## Feilsøking

Symptom	Årsak	Korrigerende tiltak
Flammeeffekten starter ikke.	<p>Strømledningen er ikke koblet til.</p> <p>Bryter A er i "ON"- (I) posisjonen, men modusen Bryter B har ikke blitt valgt. (Se fig. 2).</p> <p>Lavt vannivå.</p> <p>Lavspenningskontakten er ikke riktig tilkoblet. (Se fig. 8).</p>	<p>Kontroller at støpselet er riktig koblet til veggkontakten.</p> <p>Trykk på bryter B én gang for flammeeffekt. (Se fig. 2)</p> <p>Kontroller at vanntanken er full og at det er vann i bunnen.</p> <p>Kontroller at kontakten er riktig satt i. (Se fig. 8)</p>
Flammeeffekten er for lav.	<p>Flammeeffekten er angitt for lavt.</p> <p>Vannet i bunnen kan være for høyt på grunn av at skuffen blir åpnet og lukket en rekke ganger, vanntanken fjernes en rekke ganger, eller peisen har blitt flyttet.</p> <p>Metallplaten nederst i bunnen kan være skitten (se fig. 13)</p>	<p>Øk flammenivået med fjernkontrollen. (Se delen 'Bruk av produktet')</p> <p>Hvis vannivået i bunnen er mer enn 40 mm, bør bunnen fjernes og tømmes i vasken.</p> <p>Rengjør metalldisken med en myk børste som følger med. (Se fig. 13) Se 'Vedlikehold.' for prosedyre trinn-for-trinn.</p>
Ubehagelig lukt når enheten brukes.	Skittent eller gammelt vann.	<p>Rengjør enheten slik det er beskrevet under vedlikehold.</p> <p>Bare bruk vann fra springen med en maksimal hardhet på 10 dH.</p>
Flammeeffekten har for mye røyk.	Innstillingen til flammeeffekten er satt for høyt.	<p>Drei tommelhjulet for flammeeffekt 'D' ned til minimum og drei det opp sakte, omtrent ¼ omdreining om gangen.</p> <p>La flammegeneratoren få litt tid til å justere seg før den øker. (Se fig. 2)</p>
Strømlampen fungerer ikke, og det er ingen flamme eller røyk.	Det er tomt for vann i tanken.	<p>Følg instruksjonene under <b>Vedlikehold</b>, "Fyll vanntanken".</p> <p>Kontroller at støpselet er riktig koblet til veggkontakten.</p> <p>Bryter 'A', fig. 2 er "PÅ" (I)-posisjon.</p> <p>Trykk bryter 'B' fig. 2 til du kun hører ett pip for flammeeffekt.</p>
Kondens på glasset	<p>Tåkeinnstillingen er for høy</p> <p>Glasset kan være kaldt under oppstart</p>	<p>Reduser tåkeintensiteten ved å dreie tommelhjulet 'D' ned</p> <p>Reduser tåkeintensiteten til lav og drei bryteren 'C' til høy hastighet.</p> <p>La produktet gå med denne innstillingen til glasset er klart, og gå deretter tilbake til den innstillingen du foretrekker.</p> <p>Gjenta denne fremgangsmåten hvis det blir mer kondens</p>

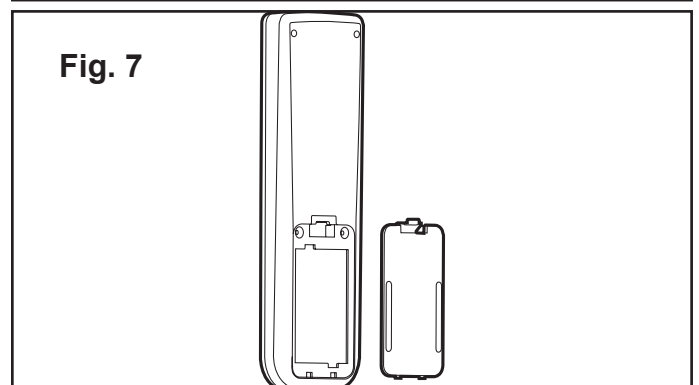
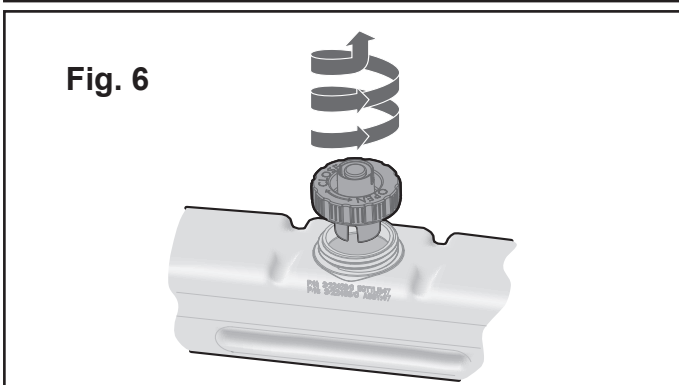
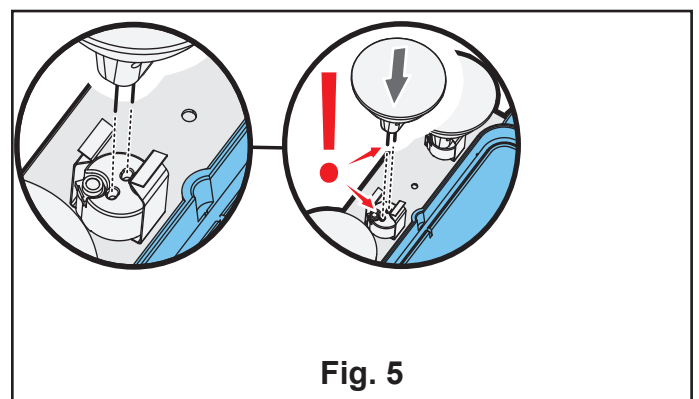
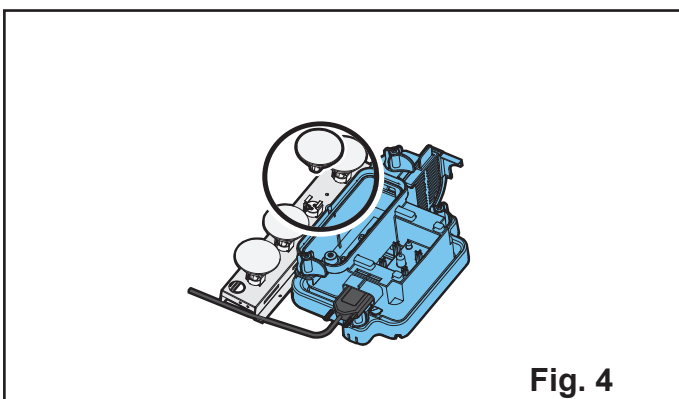
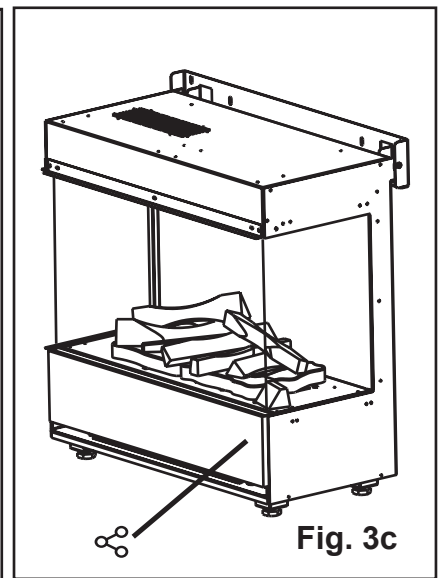
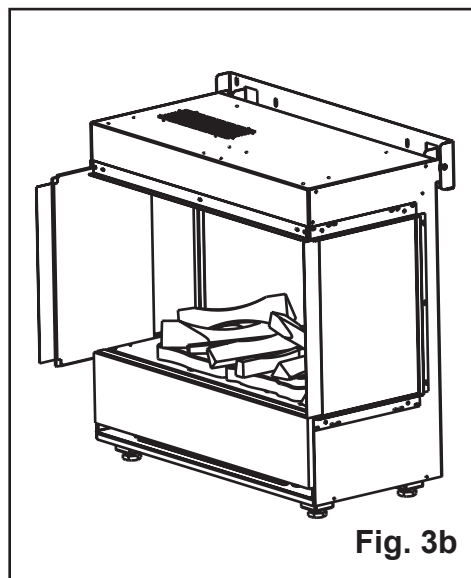
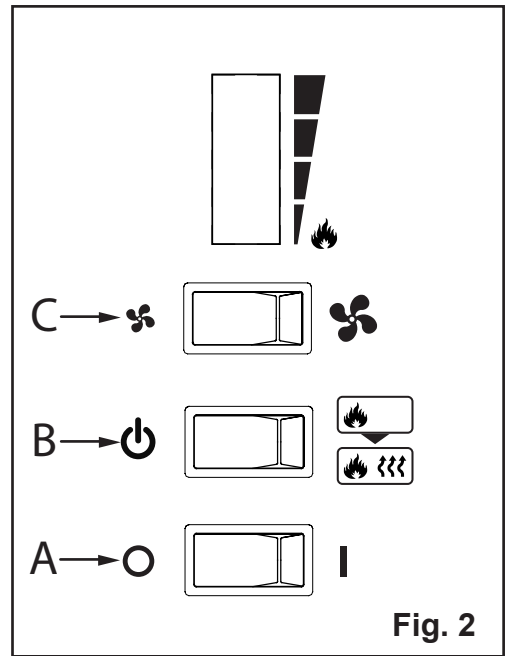
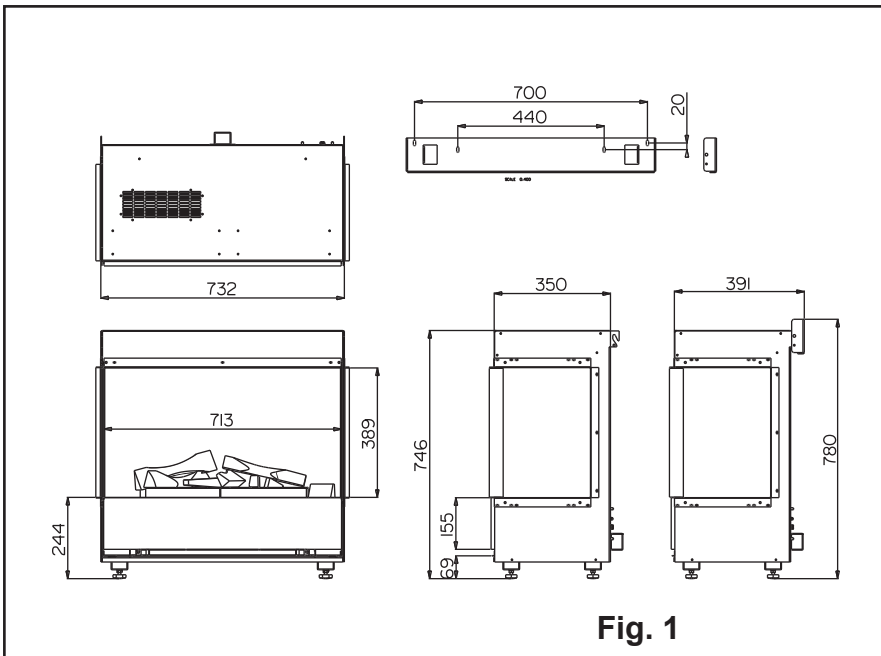


Fig. 8

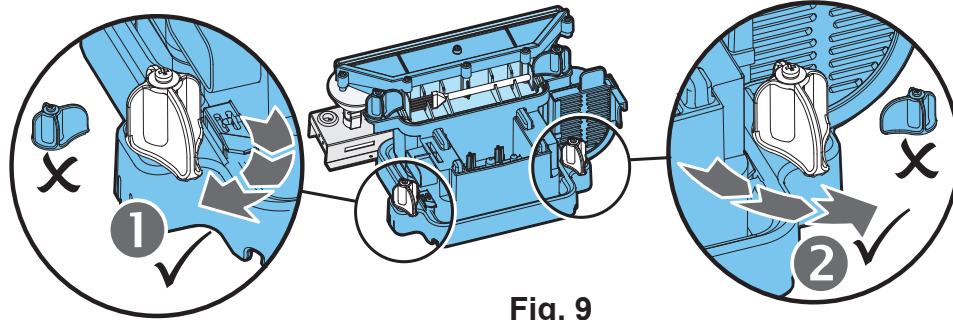
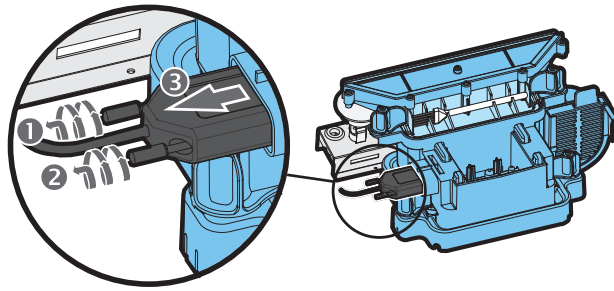


Fig. 9

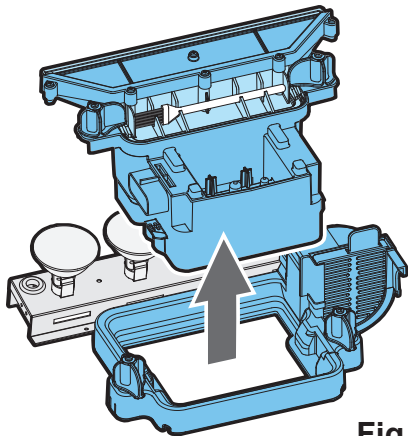


Fig. 10

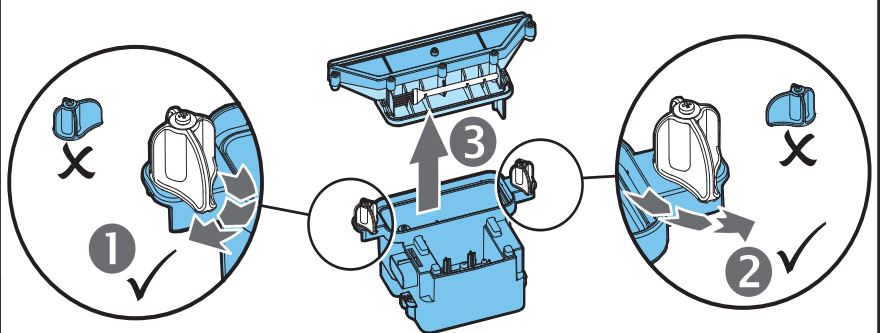


Fig. 11

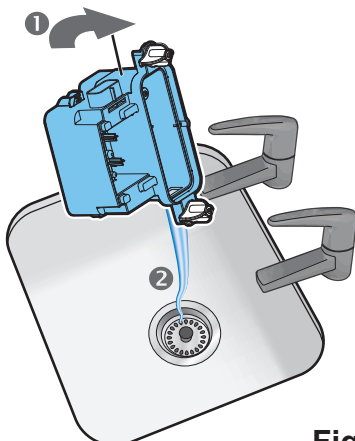


Fig. 12



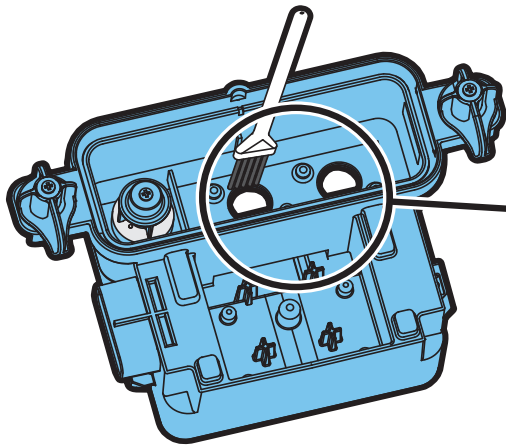


Fig. 13

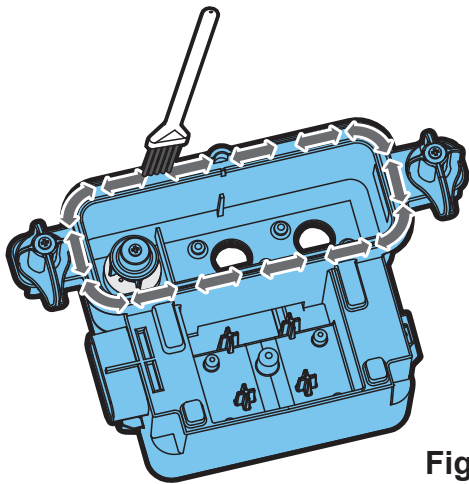
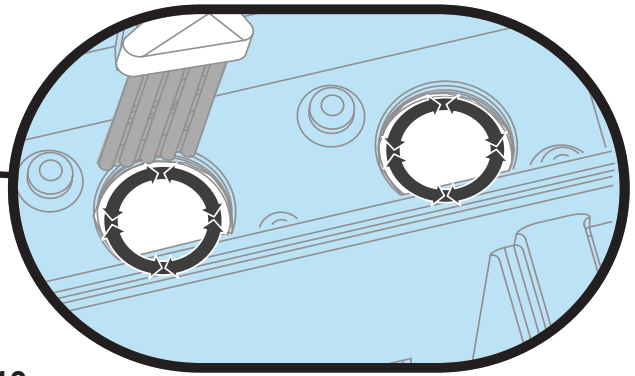


Fig. 14

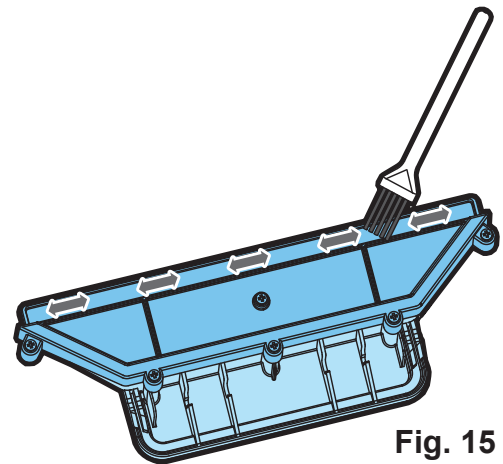


Fig. 15

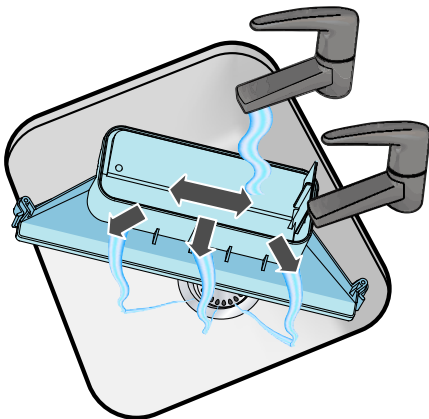


Fig. 16

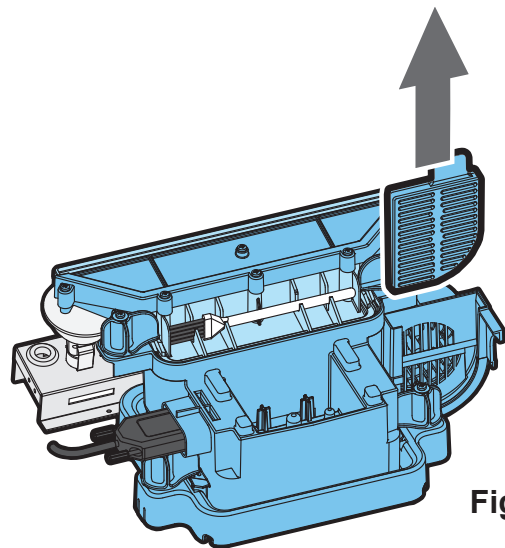


Fig. 17

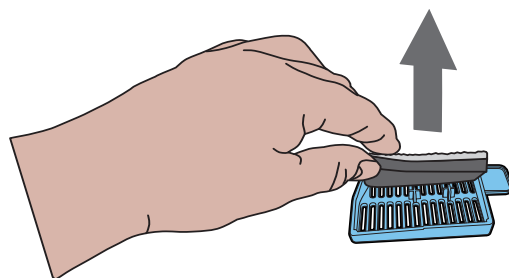


Fig. 18

