

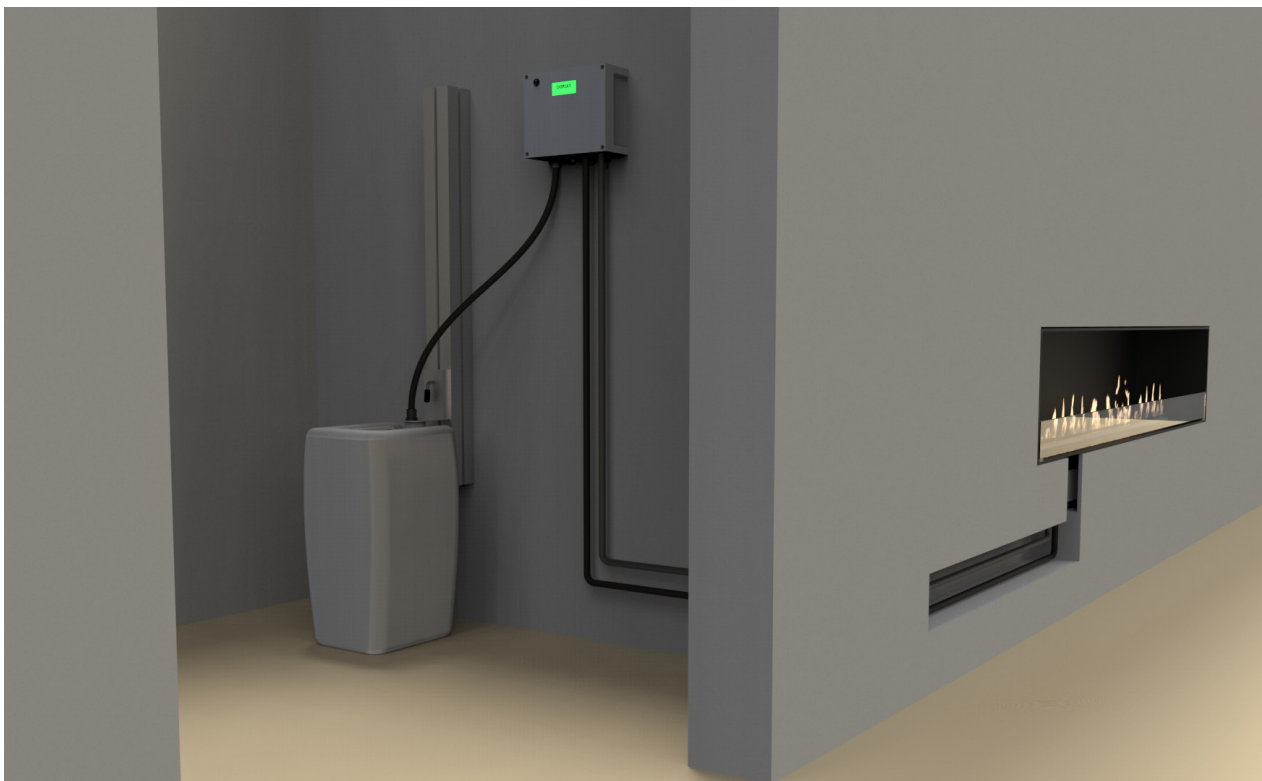


INSTALLATION MANUAL

ENGLISH

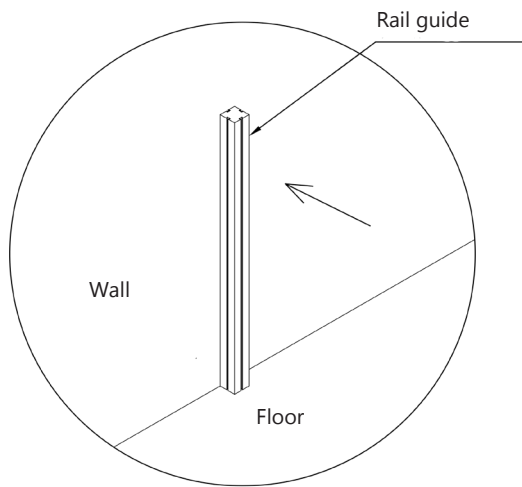
AUTOMATIC REFUELLING SYSTEM

EXTERNAL TANK



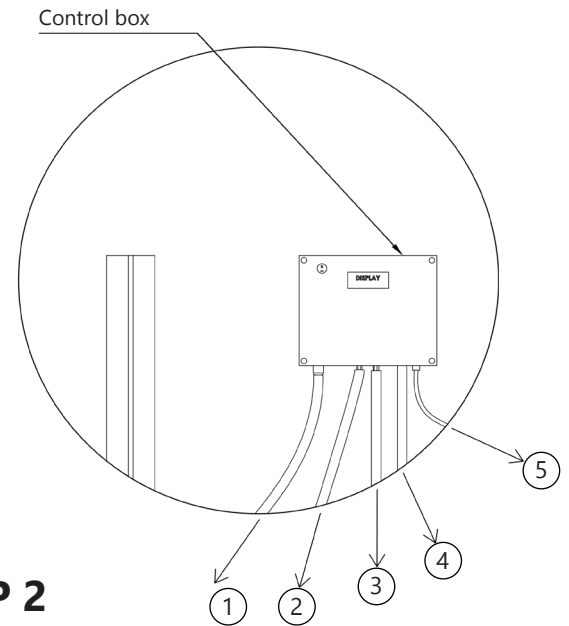
INSTALLATION

AUTOMATIC BIOETHANOL REFILL



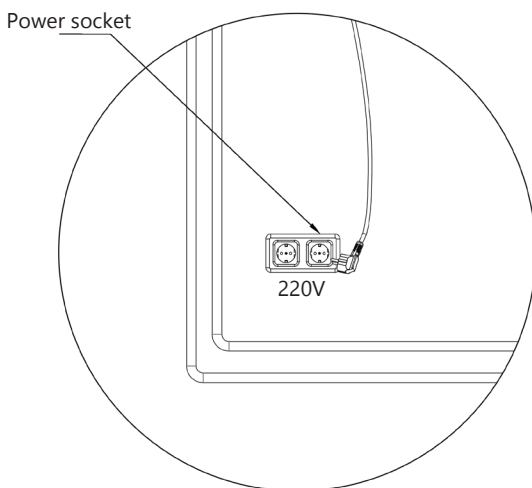
STEP 1

Place the rail guide on the wall flushing with the floor and mount it using the provided screws in the package.



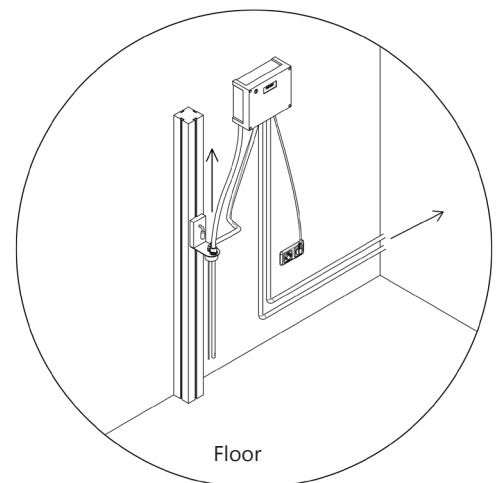
STEP 2

Open the control box by unscrewing the four screws on the box cover. Mount the box on the wall close enough to the rail guide so all the cables and hoses could reach the slider on the rail guide using the provided screws. Finally put the cover on and screw it.



STEP 5

Plug the cable coming from the control box to the power socket. Make sure that the power socket is 220V.

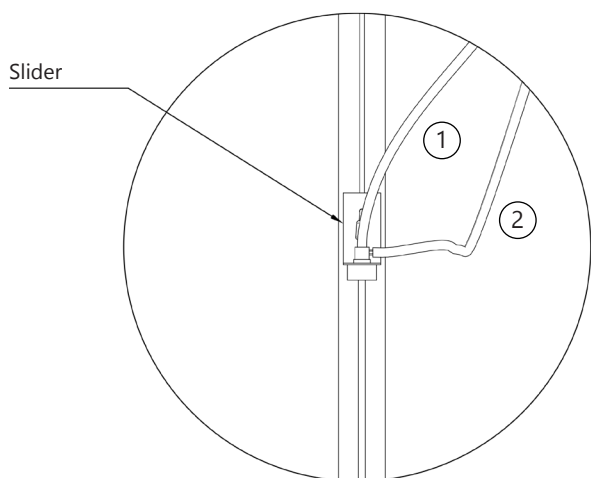


STEP 6

Loosen up the handle on the slider and lift it up. Place and fasten the tank under it to avoid for it falling down.

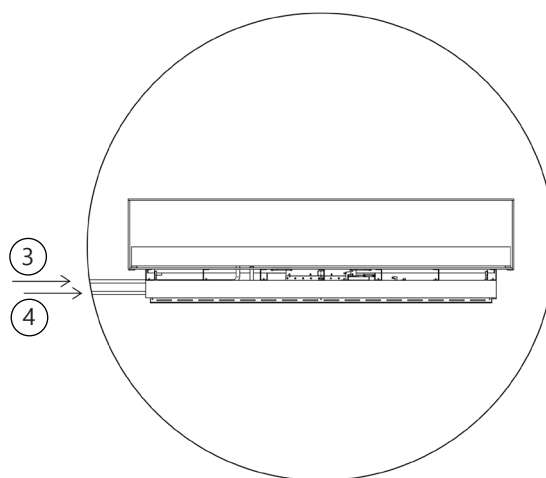
INSTALLATION GUIDE

FUELLING SYSTEM - EXTERNAL TANK



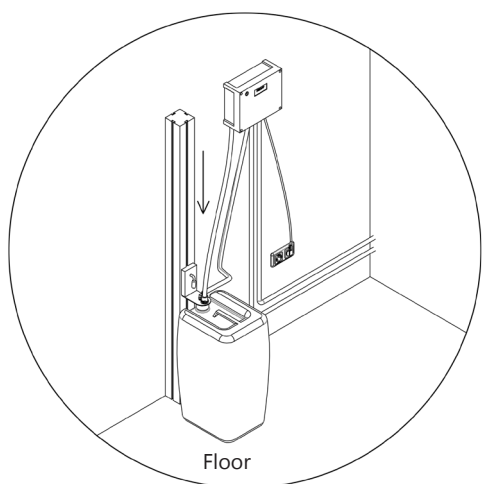
STEP 3

Place the slider in the rail guide.
ATTENTION: you can fasten and loosen the slider using the handle on the slider.



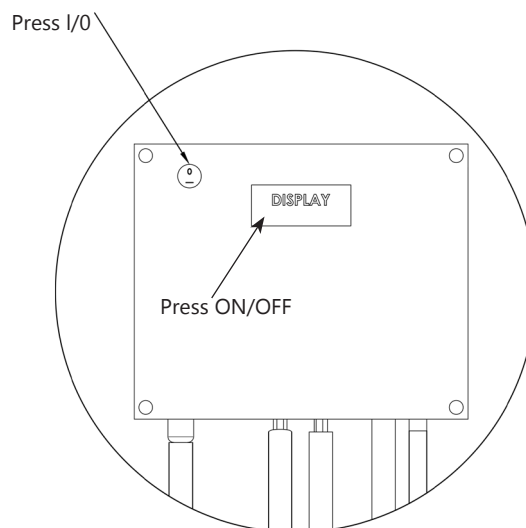
STEP 4

Plug the free wire and the hosing to the fireplace.



STEP 7

Position the tank in the right position, loosen up the slider using the handle and move it downwards until it flushes within the tank. Fasten the slider.
ATTENTION: try to make a tight connection between the slider and the tank in order to avoid fuel evaporation inside the tank.



STEP 8

Turn on the fuelling system using the indicated button on the control box. The automatic fuelling system is ready to use.



Should you have any questions, please contact our main office:

Decoflame ApS
Stenholm 14
9400 Nørresundby
Denmark

tlf. +45 9630 4800
info@decoflame.dk
www.decoflame.com