

OWNER'S MANUAL "PANTHER"

Radiant Heater: wall or ceiling mounting

model: 2000W 2600W 3200W


NOBLE HEAT



CE

AC 220-240V, 2000, 2600, 3200 watts

⚠ WARNING

Read and understand this entire owner's manual, including **all safety information**, before plugging in or **using** this product. Failure to do so could result in **fire, electrical shock, or serious personal injury**.

⚠ CAUTION

Keep this owner's manual for future reference. If you sell or give this product away, **make sure this manual accompanies this product**.

Please keep the complete model number (located on the product card) and the date you have received the product for your records, as well as your purchase receipt, warranty and service information. Keep these documents in case of a warranty claim.

IMPORTANT SAFETY INFORMATION!

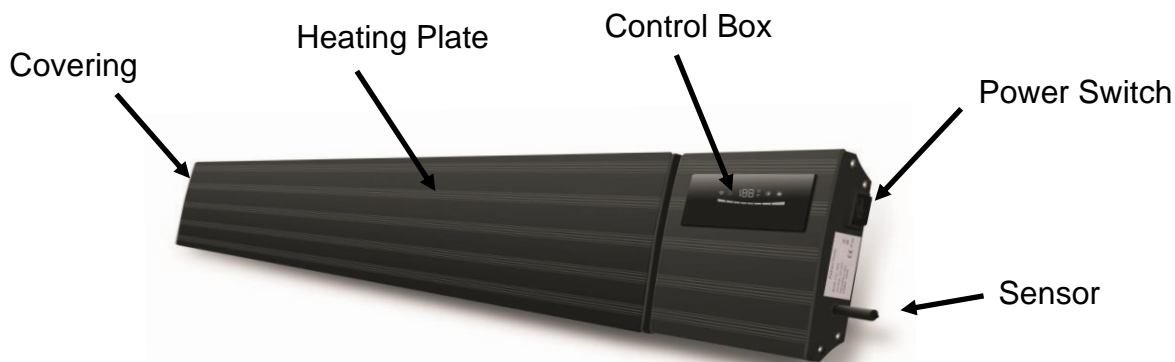
WARNING

- **Read all instructions before using this radiant heater!**
- Use only the voltage specified on the rating plate of the heater.
- **DO NOT cover** the grilles, **block** entry or outlet of the airflow by placing the appliance against any surface. Keep all objects **at least 1 meter** from the front, side and rear of the appliance.
- **DO NOT** place the product close to a radiant heat source.
- **DO NOT** use it in areas where **gasoline, paint, or flammable liquids** are used or stored.
- When the heater is in use please **DO NOT** touch the hot surface with bare skin to avoid burns. **Switch the appliance off and let it cool down before moving it.**
- **DO NOT** immerse in liquid or allow running into the interior of the heater, as this may result in electric shock.
- **DO NOT** operate any appliance with a damaged cord, plug or after the appliance has malfunctioned or has dropped or been damaged in any matter. Return to a qualified electrical person for examination, electrical or mechanical adjustment, service or repair.
- **DO NOT** touch the appliance with wet hands.
- The most common cause of **overheating** are dust or lint deposits in the heater. Ensure these deposits are removed regularly by unplugging the heater and vacuuming the air vents and grilles.
- **DO NOT** use abrasive cleansers. Clean the device with a damp cloth (not wet) that has only been rinsed in soapy water. Always remove the plug from the socket before cleaning.
- **DO NOT** connect the appliance to the mains voltage before it has been completely installed and adjusted.
- **DO NOT use the product in the immediate surrounding of bathrooms, showers, swimming pools or similar environment.**
- **DO NOT disconnect the power cord while operating this heater, as this may pose a hazard.**
- **Using an extension cord for this product is not recommended.**
- **CAUTION:** This heater is not suitable for long pile carpets or flokati rugs.
- **DO NOT allow the power cord to come into contact with heated surfaces during operation.**
- **DO NOT run power cord under carpeting or similar floor coverings or under furniture.** Arrange power cord **away from traffic** area, and where it will not be tripped over.
- **DO NOT twist, bend or wrap the cable around the heater, as this may cause the insulation to break. Always make sure that the complete cable has been removed from the cable storage area.**

- **DO NOT** store the heater while it is still hot.
- This appliance should **NOT** be used by **young children** or **infirm persons** without supervision.
- **DO NOT** install this unit directly under a wall outlet.
- **DO NOT** use this device with any other programmer, timer, or other device that automatically turns the heater on, as there is a fire hazard if the heater is covered or misplaced.
- All cover of this appliance is intended to protect access to the heating elements and must be in place when the appliance is in operating condition.
- Please **use** this product **only** as described in this manual. Any other use is **NOT** recommended by the manufacturer and may cause fire, electric shock or injury.
- This device may be used by children 8 years old or older and persons with reduced physical, sensory or mental capabilities or a lack of experience or knowledge, if they have been instructed in the safe handling of the device and have been advised of any dangers. Children are not allowed to play with the device. Cleaning and user maintenance must not be performed by children without supervision.
- Children under the age of 3 should not be left unattended near the device. Children from the age of 3 years and under the age of 8 may only switch the device on and off if it has been placed and installed in its intended operating position and if they have been instructed in the safe and proper use of the device to understand the hazards involved. Children from 3 years and under 8 years may not connect, regulate and clean the device or carry out maintenance work.
- **CAUTION** - Some parts of this product may become very hot and cause burns. Special attention is needed when children and vulnerable people are present.
- The radiant heater must be installed at least 1.8 m above the ground.
- If the power cord is damaged, it must be replaced by the manufacturer, its service agent or a similarly qualified person to avoid danger.

- **SAVE THESE INSTRUCTIONS!**

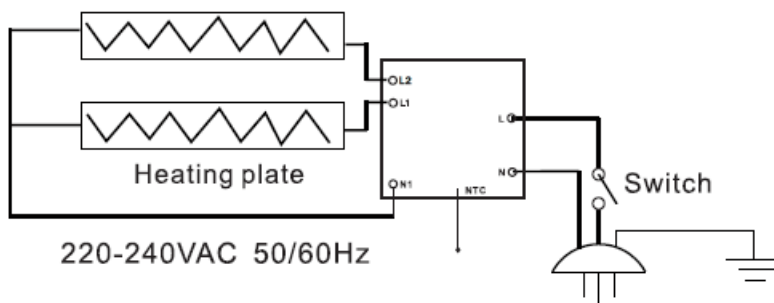
PRODUCT INSTRUCTION



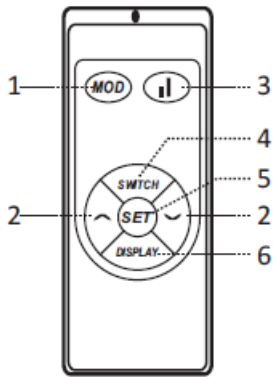
PRODUCT SIZE

Model	Power	Length (mm)	Width (mm)	Height (mm)
PANTHER 2000	2000 W	1240	200	50
PANTHER 2600	2600 W	1540	200	50
PANTHER 3200	3200 W	1840	200	50

CIRCUIT DIAGRAM



PRODUCT CONTROL PANEL & OPERATION GUIDE



- | | |
|---------------------------|-------------------|
| 1. Mod button | 4. Switch button |
| 2. Adjustment button | 5. Set button |
| 3. High/Low switch button | 6. Display button |

- Before the first use, please read this manual.
- Remove the heater from the carton carefully. Please keep the carton for off-season storage.
- Install the heater firmly in accordance with the installation instructions.
- Do not use the same socket with other high-power appliance to avoid overloading.
- **WARNING:**
This heater heats up when in use. To avoid burns do not touch the hot surface.

Switch ON

1. The heating is supplied with electricity.
2. Turn the power switch on, the screen shows the temperature of the room.

Temperature setting

Press the power button (number 1) on the remote control. Press “SET” (number 5), then press the up or down button (number 2) to increase or decrease the temperature. Finally set the temperature to the required temperature. The system will automatically save the set temperature and automatically return to operational status and displays the room temperature. Indicator light will blink.

If the room temperature is higher than the present temperature, the heater won't start to work. The maximum temperature is 45°C, the lowest is 5°C.

Lock function

First press “SWITCH” (number 4) while operating, then press the power button (number 1) and the heater is locked. All keys are invalid when the “Lock function” is activated. To activate all keys again press “SWITCH” (number 4) and then the power button (number 1).

Timer setting

Press two times “SET” (number 5) and “00” will flash. Then press the up or down button (number 2) and the time can be set. The minimum set-up time is one hour, the maximum is 24 hours. Every time you press the up or down button (number 2) the time will increase or decrease by 1 hour. After the time is set, the system will automatically save the timer setting for the next use.

Display screen ON/OFF function

The function to switch on the screen:

Press “DISPLAY” (number 6), the screen will power off, but indication light will be lighting.

Press “DISPLAY” (number 6) again, the screen turns on again.

Open window detection

In case the temperature reduces 3°C or more within 2 minutes the heater stops working. The LED lights flash and there is a click sound.

High/Low setting

With the high/low function, the radiant heater can heat in two different intensities. While operating press “HIGH/LOW SWITCH BUTTON” (number 3) to select high or low heating intensity.

WIFI reset setting

While operating, press “SWITCH” (number 4) within 5 seconds, press “HIGH/LOW SWITCH BUTTON” (number 3), then press the “UP BUTTON” (number 2) within 10 seconds. WIFI will reset. When the radiant heater is connected to the WIFI, the indicator lights up permanently. If the WIFI reset was successful, the WIFI indicator will blink.

(How to connect the heater with WIFI please see point “APP OPERATION”)

Switch OFF

The radiant heater can be switched off separately via the app. If you would like to turn off the display press the “DISPLAY” (number 6) button.

- SERVICE

When you require service contact the retailer or a qualified service center.

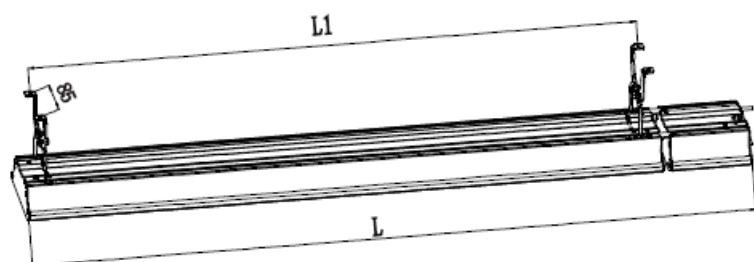
- REPLACEMENT OF POWER CORD

A damaged power cord must be replaced by a service agent or equivalent persons in order to prevent a hazard.

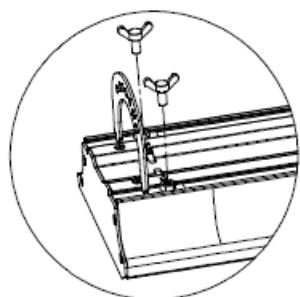
- CHILD SUPERVISION

This appliance is not intended to be used by children or infirm persons without supervision.

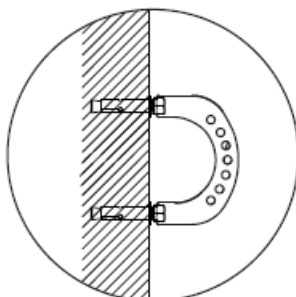
INSTALLATION GUIDE



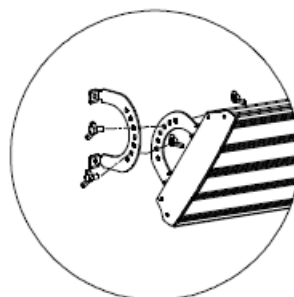
Model	L (mm)	L1 (mm)
PANTHER 2000	1240	1007
PANTHER 2600	1540	1307
PANTHER 3200	1840	1607



A



B



C

Step one:

Take the 2 **threaded** mounting brackets and insert them into the rail provided on the unit and secure the mounting brackets with 2 wing screws each. (Figure A)

Step two:

Take the other two mounting brackets and fix them to the wall or ceiling with appropriate mounting hardware. (Figure B)

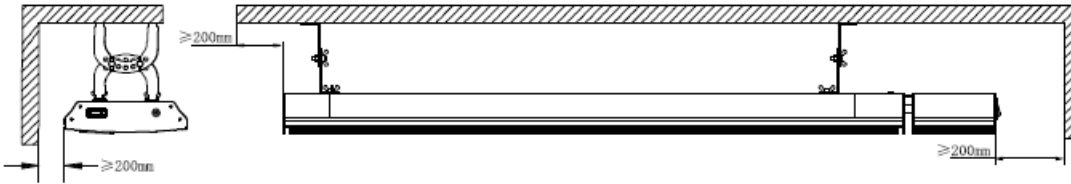
Please note a mounting height of at least 1.8 m.

Step three:

Connect the mounting brackets from the wall/ceiling with the mounting brackets from the heater with 2 wing screws and butterfly nuts each. (Figure C)

Option 1: CEILING INSTALLATION

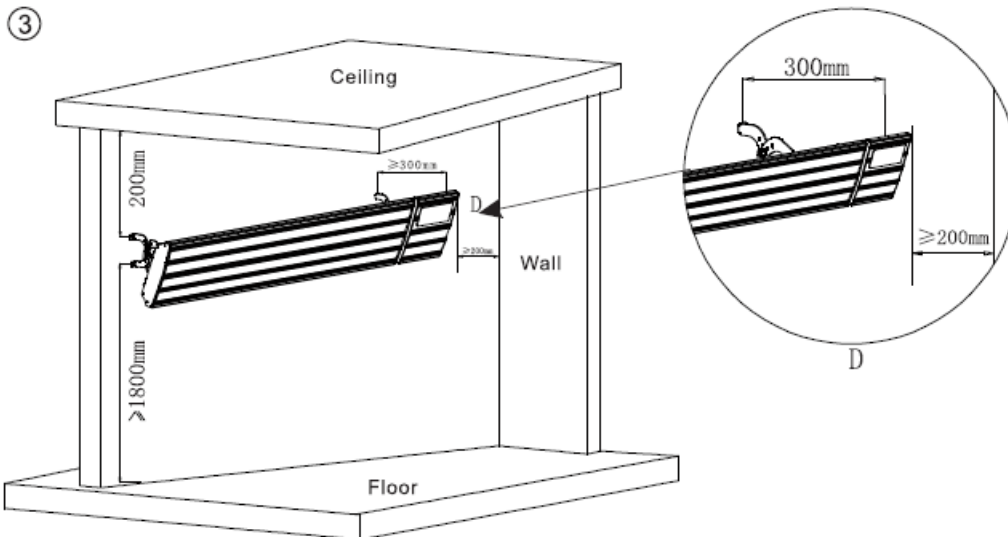
Please keep a minimum distance of 20 cm to each side.



Option 2: WALL MOUNTED INSTALLATION

The ceiling height must be at least 210 cm.

The minimum distance to the ceiling must be at least 20 cm and the distance to the ground must be at least 180 cm.

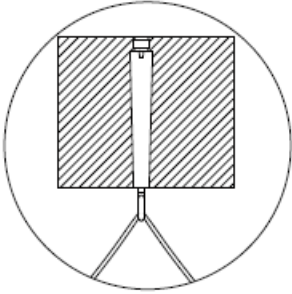


Option 3: EXTENDED INSTALLATION

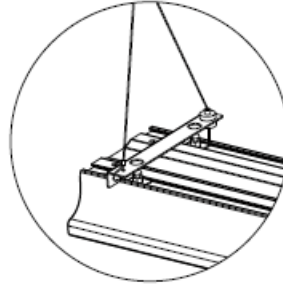
Use suitable mounting material for ceiling suspension. (A1)

Insert holder into the rail on the device and secure with 2 wing screws each. (B1)

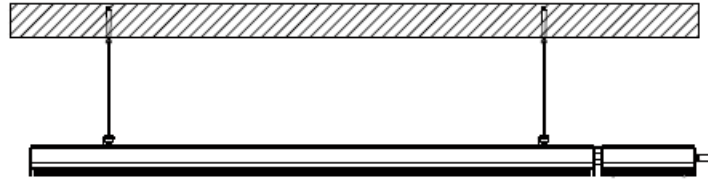
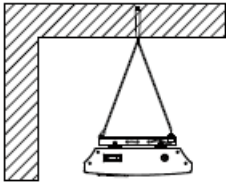
Mount the radial heater only on even ceiling.



a1



b1



APP Download

1. Apple and android system users can use the mobile phone by scanning the icon below to download the APP.



2. Download the APP by using the following link: <https://smartapp.tuya.com/smartlife>

APP Operation

- Open the Smart Life APP.
- Create a new account or register.
- Enter the interface and click the “+” icon in the upper right corner.
- Choose “small household appliance” and click “Oil Heater”
- Next Step
- Connect now
- Enter your WIFI password.
- The radiant heater will be connected to the App.
- Click “DONE”

WARNING

1. Securely fix the heater to the wall or place the heater in the correct position.
2. The heater must be installed so that the controls cannot be touched by persons currently taking a bath or shower.
3. The heater is to be installed so that it is not directly located under a socket-outlet.
4. Contact a qualified electrician or service technician if the power cord is damaged.
5. Always store the heater when not in use.
6. Make sure the heater has cooled down before storing it away.
7. Do not use the heater unattended.
8. Make sure that the heater is at a certain distance from other furniture or equipment to avoid danger.



DO NOT dispose of electrical appliances as unsorted municipal waste, use separate collection facilities. Contact your local government for information on available collection systems. When disposing of electrical appliances, hazardous substances can enter the groundwater and get into the food chain, damaging your health and well-being. When replacing old appliances with new ones, the retailer is legally obliged to take back your old appliance for disposal at least for free of charge.