

L-Fire in Casing

Freedom in creating your own wall mounted ethanol fireplace

FEATURES

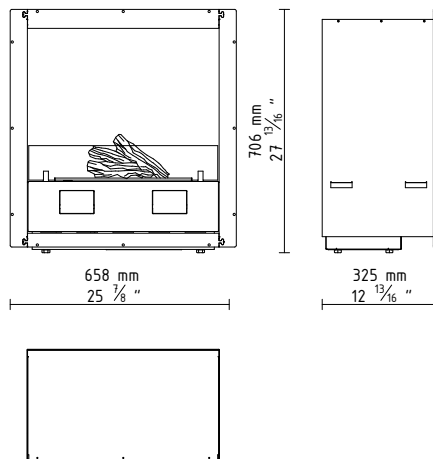
- BEV* Technology - no contact between fuel and flame
- Automatic refill system
- LED Control panel
- Eco-friendly
- No smell / no ash / no smoke
- Advanced safety sensors
- Child lock
- 2 levels of flame height
- Multiple arrangement options
- Easy to install
- Ceramic logs, decorative granulate and small front glass included
- No hard connection required
- For indoor use only
- Electrical connection required
- Optional remote control
- Optional frame
- Optional frame with mesh for additional protection



TECHNICAL DATA

L-Fire with casing	
Capacity	6,0 L / [US] 1,58 gal / [UK] 1,32 gal
Burning time	8,5 - 15 h
Heat output	2,5 - 4,4 kW / 8515 - 14908 BTU
Net weight	27 kg / 60 lbs
Air circulation	min. 1/h
Minimum room size	43,7m ³ or please contact our Project Department for details
Power supply	230 V (electric socket)
Finish	FIREPLACE: Black structural powder coating GLASS SHIELD: tempered glass

DIMENSIONS



INSTALLATION REQUIREMENTS

